

ULTRA SV/SL



SV



SL

GENERALITA' / FEATURES

Pompe centrifughe multistadio verticali con corpo pompa e parte idraulica in acciaio cromo-nichel AISI 304. Movimentazione di liquidi non carichi nei settori civili, agricoli ed industriali; sistemi di pressurizzazione; irrigazione; acque potabili o con glicole in soluzione; trattamento acque; industria alimentare; riscaldamento e condizionamento; sistemi di lavaggio.

Stainless steel multistage vertical pumps. Pumping of clean non-loaded fluids in the domestic, agricultural and industrial sectors; pressurizing systems; irrigation; drinking and glycol water; water treatment; food industry; heating and air conditioning; washing system.

ULTRA V con bocche contrapposte, ULTRA L con bocche in linea.
ULTRA V with top and bottom bores, ULTRA L with in-line bores.

MATERIALI / MATERIALS

- Corpo pompa: ghisa (SV-SL), acciaio cromo-nichel AISI 304 (SLX a richiesta)
- Flangie aspirazione/mandata corpo pompa: ghisa
- Camicia, giranti, diffusori, disco tenuta meccanica: acciaio cromo-nichel AISI 304
- Albero: acciaio cromo-nichel AISI 303
- Supporto motore: alluminio stampato
- Tenuta meccanica: ceramica-grafite fino a 6 stadi / grafite-carburo di silicio da 7 stadi
- Cuscinetto intermedio guida-albero: ceramica-carburo di tungsteno
- Guarnizioni corpo pompa: NBR
- *Pump body: cast iron (SV-SL), stainless steel AISI 304 (SLX on request)*
- *Flanged suction pump body: cast iron*
- *Flanged delivery pump body: cast iron*
- *Shell, impellers, diffusers, mechanical seal disc holder: AISI 304 chromo-nickel steel*
- *Pump shaft: AISI 303 chromo-nickel steel*
- *Motor bracket: aluminum alloy*
- *Mechanical seal: ceramic-graphite up to 7 stages - graphite-silicon carbide from 6 stages*
- *Intermediate shaft guiding stage bush: ceramic-tungsten carbide*
- *Pump body gasket: NBR*

MOTORE / MOTOR

- Motore a 2 poli ad induzione
- Monofase 230V – 50 Hz dotati di protezione termica fino a 1,85 Kw
- Trifase 230/400 V – 50 Hz
- Isolamento classe F
- Protezione IP 44
- *2 Pole induction Motor*
- *Single Phase 230V - 50Hz with thermal protector up to 1,85 Kw*
- *Three Phase 230-400V - 50 Hz*
- *Insulation class F*
- *Protection degree IP 44*

LIMITI DI IMPIEGO / OPERATING CONDITIONS

- Portata fino a 24 m³/h
- Prevalenza fino a 125 m
- Pressione massima di esercizio 15 bar
- Temperatura d'esercizio del liquido pompato: da -15 a 90°C
- Temperatura ambiente fino a 40°C
- *Capacity: up to 24 m³/h*
- *Total Head: up to 125 m*
- *Maximum working pressure: 15 bar*
- *Maximum liquid temperature: from -15 up to 90 °C*
- *Ambient temperature: up to 40 °C*



ELETTROPOMPE MULTIGIRANTI VERTICALI CON IDRAULICA INOX AISI 304
SS AISI 304 HYDRAULICS VERTICAL MULTISTAGE ELECTRIC PUMPS

CARATTERISTICHE TECNICHE / TECHNICAL PERFORMANCE

| Modello - <i>Model</i> | | P2 | | P1 (kW) | | Ampere | | Q (m³/h - l/min) | | | | | | | |
|------------------------|-----------------|------|------|---------|------|----------------------|----------------------|------------------|-------|-------|-------|------|------|------|------|
| 1- | 3- | (HP) | (kW) | 1- | 3- | 1- 1x230V 50Hz | 3- 3x400V 50Hz | 0 | 1.8 | 2.4 | 3.6 | 4.8 | 6 | 7.2 | 8.4 |
| 230V - 50Hz | 230/400V - 50Hz | | | | | | | 0 | 30 | 40 | 60 | 80 | 100 | 120 | 140 |
| H (m) | | | | | | | | | | | | | | | |
| U 5SV-120/4 • | U 5SV-120/4 T • | 1.2 | 0.9 | 1.09 | 1.03 | 4.9 | 2.4 | 45.5 | 42.2 | 40.1 | 37.2 | 32.9 | 27.4 | 19.8 | 10.4 |
| U 5...-150/5 | U 5...-150/5 T | 1.5 | 1.1 | 1.39 | 1.31 | 6.5 | 2.7 | 57.2 | 53.4 | 51.7 | 47.6 | 42.3 | 35.2 | 25.7 | 14 |
| U 5...-180/6 | U 5...-180/6 T | 1.8 | 1.3 | 1.63 | 1.55 | 7.3 | 3 | 68.9 | 64.4 | 62.3 | 57.5 | 51.5 | 43.5 | 32.6 | 18.1 |
| U 5...-200/7 | U 5...-200/7 T | 2 | 1.5 | 1.94 | 1.77 | 8.7 | 3.3 | 81 | 75.5 | 73 | 67.4 | 60.3 | 51 | 38.6 | 21 |
| U 5...-250/8 | U 5...-250/8 T | 2.5 | 1.85 | 2.2 | 2.07 | 10.1 | 4 | 92.1 | 86.5 | 84 | 77.8 | 70.1 | 60 | 45.5 | 26 |
| U 5...-280/9 | U 5...-280/9 T | 2.8 | 2.1 | 2.45 | 2.27 | 11 | 4.2 | 103.4 | 96.7 | 93.5 | 86 | 77.1 | 65.6 | 48.7 | 27.6 |
| U 5...-300/10 | U 5...-300/10 T | 3 | 2.2 | 2.67 | 2.57 | 11.9 | 4.7 | 114.2 | 106.4 | 102.9 | 95.2 | 85.2 | 72 | 53.3 | 30 |
| U 5...-350/11 | U 5...-350/11 T | 3.5 | 2.57 | 2.85 | 2.76 | 12.9 | 4.9 | 125.1 | 115.7 | 111.8 | 102.6 | 91.6 | 77.1 | 57.1 | 30.7 |

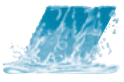
• Disponibile solo in versione SV / Available SV version only

| Modello - <i>Model</i> | | P2 | | P1 (kW) | | Ampere | | Q (m³/h - l/min) | | | | | | | | | |
|------------------------|-----------------|------|------|---------|------|----------------------|----------------------|------------------|-------|-------|-------|-------|-------|------|------|------|--|
| 1- | 3- | (HP) | (kW) | 1- | 3- | 1- 1x230V 50Hz | 3- 3x400V 50Hz | 0 | 2.4 | 3.6 | 4.8 | 6 | 7.2 | 8.4 | 9.6 | 10.8 | |
| 230V - 50Hz | 230/400V - 50Hz | | | | | | | 0 | 40 | 60 | 80 | 100 | 120 | 140 | 160 | 180 | |
| H (m) | | | | | | | | | | | | | | | | | |
| U 7...-180/4 | U 7...-180/4 T | 1.8 | 1.3 | 1.69 | 1.62 | 7.7 | 3.1 | 48.0 | 46.3 | 45.7 | 43.6 | 40.4 | 36.4 | 31.4 | 25.0 | 17.2 | |
| U 7...-250/5 | U 7...-250/5 T | 2.5 | 1.85 | 2.19 | 2.05 | 10.2 | 4.1 | 60.3 | 59.0 | 58.2 | 55.7 | 52.2 | 47.4 | 41.3 | 33.5 | 22 | |
| U 7...-300/6 | U 7...-300/6 T | 3 | 2.2 | 2.53 | 2.44 | 11.4 | 4.8 | 72.5 | 70.5 | 69.2 | 66 | 61.5 | 55.7 | 47.8 | 37.8 | 24.7 | |
| - | U 7...-350/7 T | 3.5 | 2.57 | - | 2.84 | - | 5.1 | 83.5 | 80.7 | 78.8 | 74.7 | 69.4 | 62.6 | 53.9 | 42.7 | 27.5 | |
| - | U 7...-400/8 T | 4 | 3 | - | 3.3 | - | 6 | 95.6 | 93.3 | 91.4 | 87.2 | 81.6 | 74.2 | 64.8 | 51.9 | 33 | |
| - | U 7...-450/9 T | 4.5 | 3.31 | - | 3.81 | - | 6.5 | 108.5 | 106.6 | 105.1 | 101 | 95 | 87.2 | 76.6 | 62.6 | 39.5 | |
| - | U 7...-550/10 T | 5.5 | 4 | - | 4.32 | - | 7.9 | 121.5 | 120.1 | 119.3 | 115.3 | 109.2 | 100.8 | 89.8 | 75 | 55.4 | |

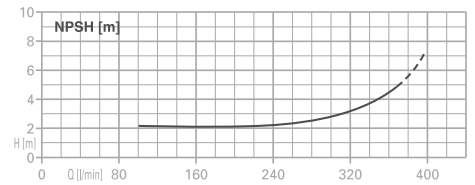
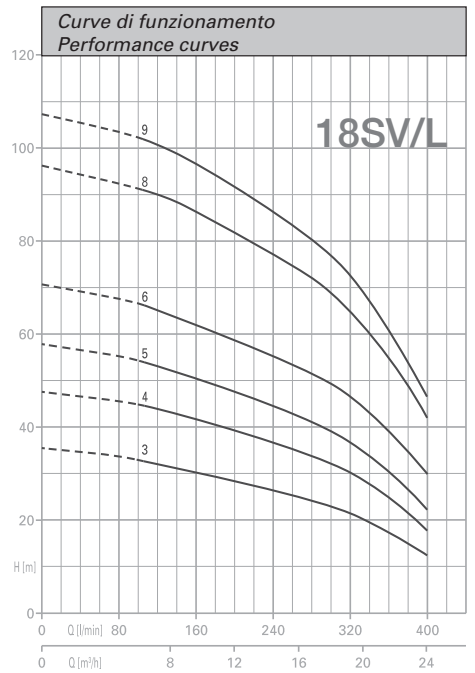
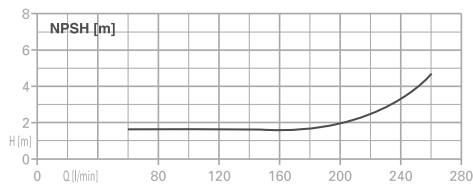
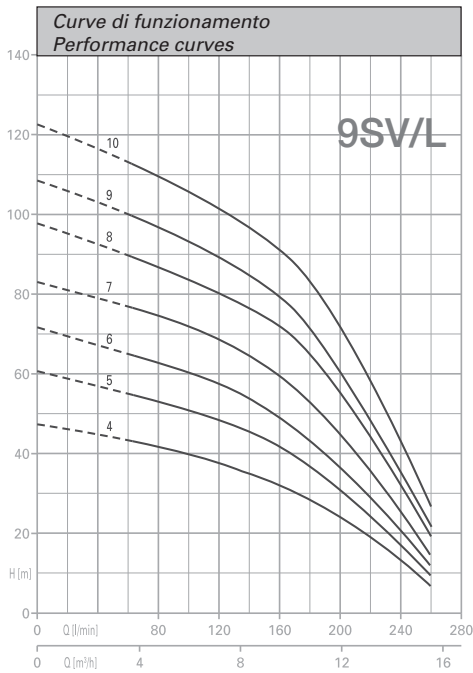
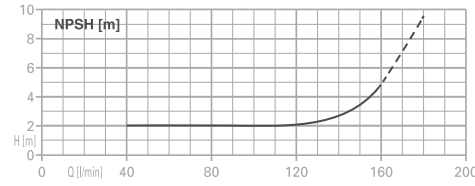
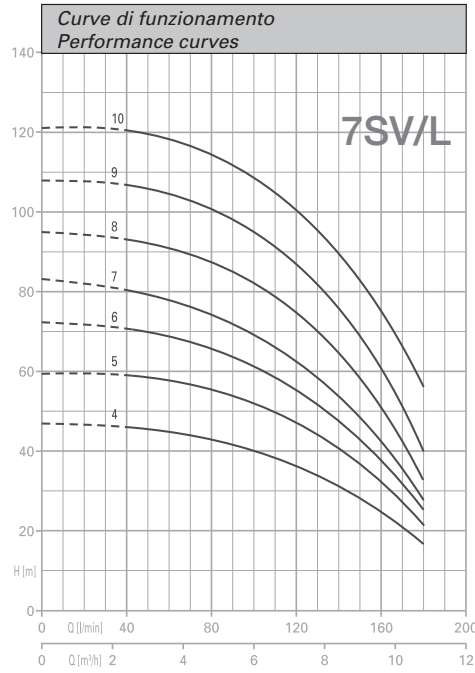
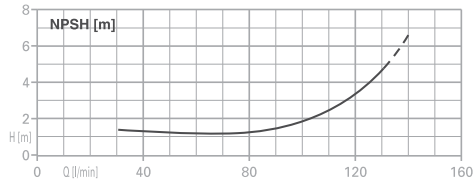
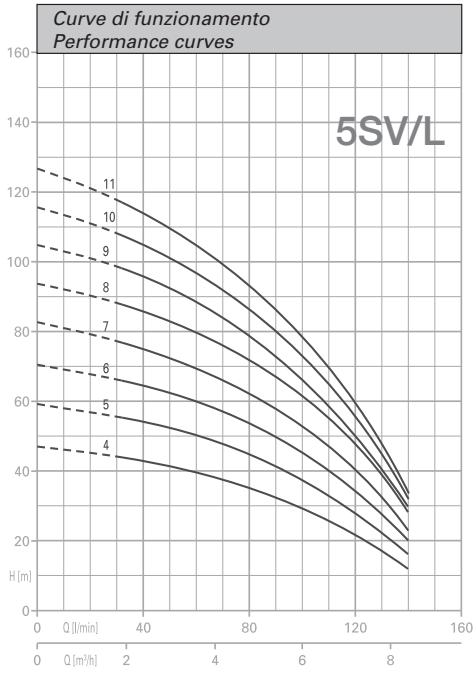
| Modello - <i>Model</i> | | P2 | | P1 (kW) | | Ampere | | Q (m³/h - l/min) | | | | | | | | | | | | | | |
|------------------------|-----------------|------|------|---------|------|----------------------|----------------------|------------------|-------|-------|-------|-------|------|------|------|------|------|------|------|--|--|--|
| 1- | 3- | (HP) | (kW) | 1- | 3- | 1- 1x230V 50Hz | 3- 3x400V 50Hz | 0 | 3.6 | 4.8 | 6 | 7.2 | 8.4 | 9.6 | 10.8 | 12 | 13.2 | 14.4 | 15.6 | | | |
| 230V - 50Hz | 230/400V - 50Hz | | | | | | | 0 | 60 | 80 | 100 | 120 | 140 | 160 | 180 | 200 | 220 | 240 | 260 | | | |
| H (m) | | | | | | | | | | | | | | | | | | | | | | |
| U 9...-200/4 | U 9...-200/4 T | 2 | 1.5 | 1.88 | 1.77 | 8.4 | 3.3 | 47.6 | 43.5 | 42.1 | 40.1 | 38.1 | 35.7 | 32.7 | 28.9 | 24.2 | 19 | 13.1 | 7.1 | | | |
| U 9...-250/5 | U 9...-250/5 T | 2.5 | 1.85 | 2.36 | 2.23 | 10.8 | 4.3 | 60 | 54.8 | 53 | 51 | 48.2 | 45.4 | 42 | 37.3 | 31.6 | 25 | 18 | 10.6 | | | |
| U 9...-300/6 | U 9...-300/6 T | 3 | 2.2 | 2.78 | 2.58 | 12.5 | 4.9 | 71.8 | 64.9 | 63 | 59.9 | 57 | 53.7 | 49.7 | 44.3 | 37 | 29.5 | 20.8 | 11.1 | | | |
| - | U 9...-400/7 T | 4 | 3 | - | 3.13 | - | 5.8 | 83.3 | 76.7 | 74.9 | 71.8 | 68.3 | 64.6 | 59.9 | 53.5 | 44.8 | 35.9 | 25.7 | 14.3 | | | |
| - | U 9...-450/8 T | 4.5 | 3.31 | - | 3.72 | - | 6.4 | 97.3 | 89.5 | 87.3 | 84 | 80.5 | 75.6 | 71.6 | 64.8 | 54.9 | 44 | 32.4 | 19.7 | | | |
| - | U 9...-500/9 T | 5 | 3.7 | - | 4.11 | - | 7 | 109 | 100 | 97.6 | 93.6 | 89.5 | 85 | 79.4 | 71.6 | 60.1 | 48 | 34.9 | 21.9 | | | |
| - | U 9...-550/10 T | 5.5 | 4 | - | 4.58 | - | 8.3 | 122 | 112.8 | 110.5 | 106.5 | 102.2 | 97.3 | 91.6 | 82.8 | 70.7 | 57.1 | 42.3 | 26.5 | | | |

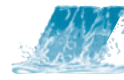
| Modello - <i>Model</i> | | P2 | | P1 (kW) | Ampere | Q (m³/h - l/min) | | | | | | | | | | | | | | | | |
|------------------------|------|------|------|---------|----------------------|------------------|-------|-------|-------|-------|-------|-------|-------|-------|------|------|------|------|------|-------|------|-----|
| 3- | (HP) | (kW) | 3- | 3- | 3- 3x400V 50Hz | 0 | 6 | 7.2 | 8.4 | 9.6 | 10.8 | 12 | 13.2 | 14.4 | 15.6 | 16.8 | 18 | 19.2 | 20.4 | 21.6 | 22.8 | 24 |
| 230/400V - 50Hz | | | | | | 0 | 100 | 120 | 140 | 160 | 180 | 200 | 220 | 240 | 260 | 280 | 300 | 320 | 340 | 360 | 380 | 400 |
| H (m) | | | | | | | | | | | | | | | | | | | | | | |
| U 18...-250/3 T | 2.5 | 1.85 | 2.29 | 4.4 | 35.7 | 33.1 | 32.3 | 31.3 | 30.4 | 29.4 | 28.4 | 27.4 | 26.3 | 25.1 | 24 | 22.8 | 21.4 | 19.6 | 17.8 | 15.4 | 12.9 | |
| U 18...-400/4 T | 4 | 3 | 3.11 | 5.7 | 47.9 | 45 | 44 | 42.8 | 41.7 | 40.5 | 39.1 | 37.8 | 36.6 | 35.2 | 33.9 | 32.2 | 30.2 | 28 | 25.1 | 22.1 | 18.1 | |
| U 18...-450/5 T | 4.5 | 3.31 | 3.79 | 6.7 | 58.1 | 54.3 | 53.1 | 51.8 | 50.4 | 49 | 47.4 | 45.9 | 44.3 | 42.7 | 41 | 39.2 | 37 | 34 | 30.8 | 26.9 | 23 | |
| U 18...-550/6 T | 5.5 | 4 | 4.63 | 8.7 | 70.5 | 66.4 | 65 | 63.6 | 62 | 60.5 | 58.9 | 57.2 | 55.4 | 53.5 | 51.5 | 49.3 | 46.3 | 43.3 | 39.4 | 34.9 | 30.4 | |
| U 18...-750/8 T | 7.5 | 5.5 | 6.15 | 10.9 | 95.9 | 90.9 | 89.58 | 88 | 86.1 | 83.9 | 81.6 | 79.5 | 76.8 | 74.37 | 71.8 | 68.6 | 65 | 60.4 | 55.2 | 49 | 42.2 | |
| U 18...-900/9 T | 9 | 6.6 | 7 | 12.7 | 106.4 | 101.8 | 100.4 | 98.6 | 96.1 | 93.5 | 91 | 88.2 | 85.5 | 82.7 | 79.7 | 76.2 | 72.1 | 66.9 | 60.8 | 53.67 | 46.1 | |
| U 18SL-850/10 T • | 8.5 | 6.3 | 7.4 | 12.6 | 117.4 | 111.3 | 109.2 | 106.7 | 104 | 101.3 | 98.4 | 95.4 | 92 | 88.8 | 85.1 | 81 | 75.7 | 70.2 | 64.1 | 57 | 49 | |
| U 18SL-1000/11 T • | 10 | 7.5 | 8.4 | 14.6 | 130.5 | 125 | 122.8 | 120.2 | 117.3 | 114.4 | 111.5 | 108.4 | 105.4 | 101.9 | 98 | 93.8 | 88.6 | 81.7 | 74.3 | 65.5 | 56.8 | |

• Disponibile solo in versione SL / Available SL version only

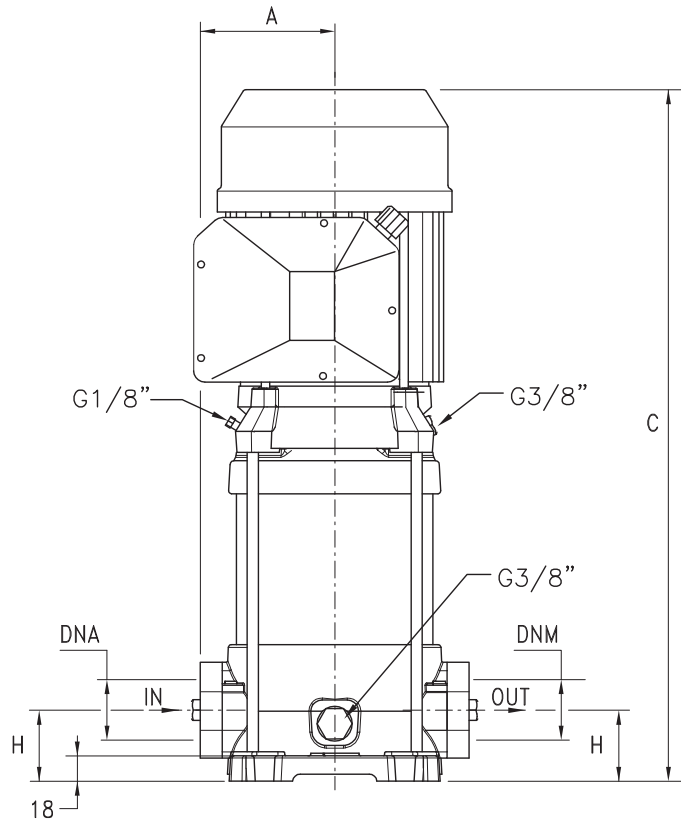
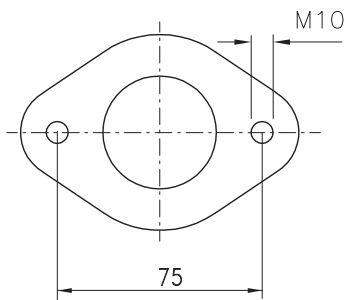
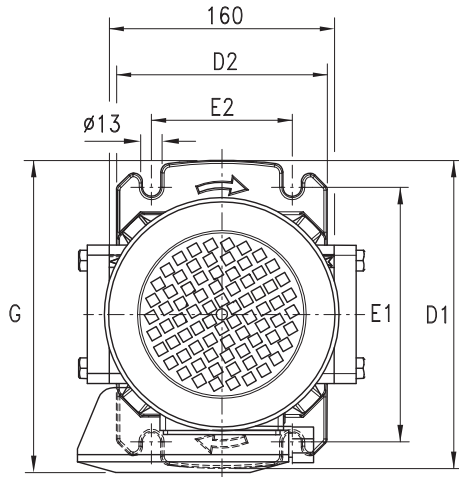


ULTRA SV/SL

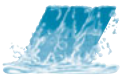




ULTRA 5-7 SL

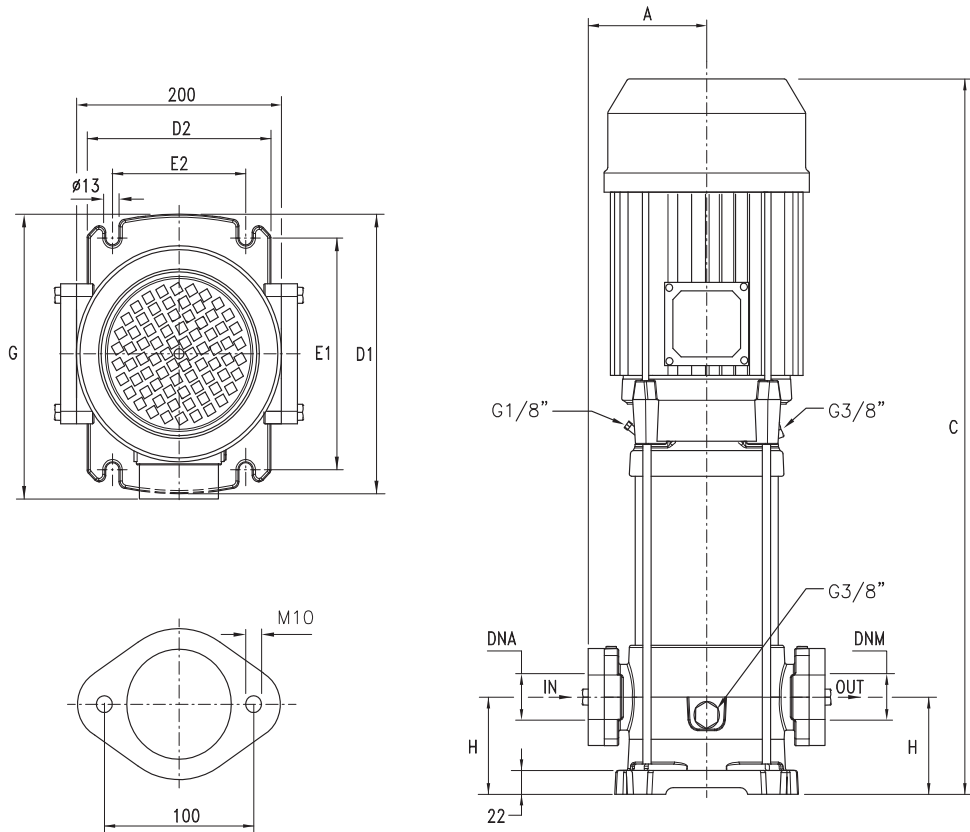


| Modello <i>Model</i> | Dimensioni - <i>Dimensions</i> | | | | | | | | Peso <i>Weight</i> kg | DNA G | DNM G |
|-------------------------|--------------------------------|----------------|-----|-----|-----|-----|----------------|----|-----------------------------|----------|----------|
| | A | C | D1 | D2 | E1 | E2 | G | H | | | |
| U 5SL-150/5 | 98 | 459 | 220 | 150 | 180 | 100 | 228 | 50 | 23 | 1" 1/4 | 1" 1/4 |
| U 5SL-180/6 | 98 | 483 | 220 | 150 | 180 | 100 | 228 | 50 | 24.9 | | |
| U 5SL-200/7 | 98 | 507 | 220 | 150 | 180 | 100 | 228 | 50 | 27 | | |
| U 5SL-250/8 | 98 | 531 | 220 | 150 | 180 | 100 | 228 | 50 | 28 | | |
| U 5SL-280/9 | 98 | M 600 T 555 | 220 | 150 | 180 | 100 | M 236 T 228 | 50 | 30.8 | | |
| U 5SL-300/10 | 98 | M 624 T 579 | 220 | 150 | 180 | 100 | M 236 T 228 | 50 | 31.4 | | |
| U 5SL-350/11 | 98 | 648 | 220 | 150 | 180 | 100 | 236 | 50 | 34.7 | | |
| U 5SL-180/4 | 98 | 435 | 220 | 150 | 180 | 100 | 228 | 50 | 23.8 | 1" 1/4 | 1" 1/4 |
| U 7SL-250/5 | 98 | 459 | 220 | 150 | 180 | 100 | 228 | 50 | 26.1 | | |
| U 7SL-300/6 | 98 | M 528 T 483 | 220 | 150 | 180 | 100 | M 236 T 228 | 50 | 29 | | |
| U 7SL-350/7 | 98 | 552 | 220 | 150 | 180 | 100 | 236 | 50 | 29.8 | | |
| U 7SL-400/8 | 98 | 576 | 220 | 150 | 180 | 100 | 236 | 50 | 33.3 | | |
| U 7SL-450/9 | 98 | 633 | 220 | 150 | 180 | 100 | 251 | 50 | 37.7 | | |
| U 7SL-550/10 | 98 | 657 | 220 | 150 | 180 | 100 | 251 | 50 | 41 | | |



ULTRA SV/SL

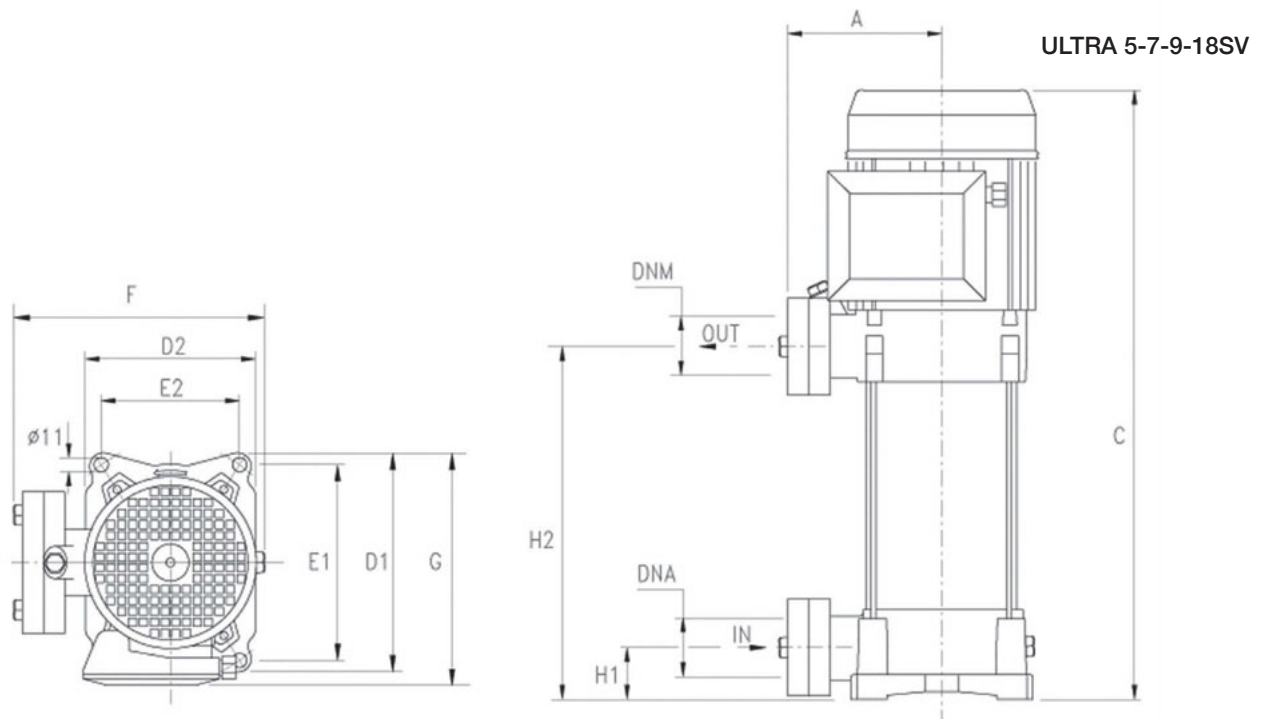
ULTRA 9-18 SL



| Modello - Model | Dimensioni - Dimensions | | | | | | | | Peso Weight kg | DNA G | DNM G |
|-----------------|-------------------------|----------------|-----|-----|-----|-----|----------------|----|----------------|--------|--------|
| | A | C | D1 | D2 | E1 | E2 | G | H | | | |
| U 9SL-200/4 | 118 | 490 | 260 | 180 | 215 | 130 | 248 | 80 | 29.9 | 1" 1/2 | 1" 1/2 |
| U 9SL-250/5 | 118 | 520 | 260 | 180 | 215 | 130 | 248 | 80 | 30.9 | | |
| U 9SL-300/6 | 118 | M 595 T 550 | 260 | 180 | 215 | 130 | M 256 T 248 | 80 | 33.8 | | |
| U 9SL-400/7 | 118 | 625 | 260 | 180 | 215 | 130 | 256 | 80 | 37.6 | | |
| U 9SL-450/8 | 118 | 688 | 260 | 180 | 215 | 130 | 271 | 80 | 41.3 | | |
| U 9SL-500/9 | 118 | 718 | 260 | 180 | 215 | 130 | 271 | 80 | 42.1 | | |
| U 9SL-550/10 | 118 | 748 | 260 | 180 | 215 | 130 | 271 | 80 | 45.5 | | |
| U 18SL-250/3 | 118 | 492 | 260 | 180 | 215 | 130 | 248 | 90 | 33.5 | 2" | 2" |
| U 18SL-400/4 | 118 | 575 | 260 | 180 | 215 | 130 | 256 | 90 | 36.1 | | |
| U 18SL-450/5 | 118 | 646 | 260 | 180 | 215 | 130 | 271 | 90 | 40.4 | | |
| U 18SL-550/6 | 118 | 683 | 260 | 180 | 215 | 130 | 271 | 90 | 44.4 | | |
| U 18SL-750/8 | 118 | 804 | 260 | 180 | 215 | 130 | 280 | 90 | 54.3 | | |
| U 18SL-900/9 | 118 | 842 | 260 | 180 | 215 | 130 | 280 | 90 | 54.6 | | |
| U 18SL-850/10 | 118 | 1020 | 260 | 180 | 215 | 130 | 307 | 90 | 68.6 | | |
| U 18SL-1000/11 | 118 | 1057 | 260 | 180 | 215 | 130 | 307 | 90 | 75.6 | | |



ELETTROPOMPE MULTIGIRANTI VERTICALI CON IDRAULICA INOX AISI 304
SS AISI 304 HYDRAULICS VERTICAL MULTISTAGE ELECTRIC PUMPS



| Modello <i>Model</i> | Dimensioni - <i>Dimensions</i> | | | | | | | | | | Peso <i>Weight</i> kg | DNA G | DNM G |
|-------------------------|--------------------------------|----------------|-----|-----|-------|-----|-----|----------------|----|-------|-----------------------------|----------|----------|
| | A | C | D1 | D2 | E1 | E2 | F | G | H1 | H2 | | | |
| U 5SV-120/4 | 135 | 389 | 204 | 162 | 178.5 | 125 | 229 | 213 | 40 | 178 | 19.5 | 1" 1/4 | 1" 1/4 |
| U 5SV-150/5 | 135 | 443 | 204 | 162 | 178.5 | 125 | 229 | 215 | 40 | 208.5 | 22.1 | | |
| U 5SV-180/6 | 135 | 467 | 204 | 162 | 178.5 | 125 | 229 | 215 | 40 | 232.5 | 23.3 | | |
| U 5SV-200/7 | 135 | 491 | 204 | 162 | 178.5 | 125 | 229 | 215 | 40 | 256.5 | 25.4 | | |
| U 5SV-250/8 | 135 | 515 | 204 | 162 | 178.5 | 125 | 229 | 215 | 40 | 280.5 | 26.2 | | |
| U 5SV-280/9 | 135 | M 584 T 539 | 204 | 162 | 178.5 | 125 | 229 | M 230 T 215 | 40 | 304.5 | 28.8 | | |
| U 5SV-300/10 | 135 | M 608 T 563 | 204 | 162 | 178.5 | 125 | 229 | M 230 T 215 | 40 | 328.5 | 29.5 | | |
| U 5SV-350/11 | 135 | 626 | 204 | 162 | 178.5 | 125 | 229 | 230 | 40 | 352.5 | 32.8 | | |
| U 7SV-180/4 | 135 | 419 | 204 | 162 | 178.5 | 125 | 229 | 215 | 40 | 184.5 | 22.1 | | |
| U 7SV-250/5 | 135 | 443 | 204 | 162 | 178.5 | 125 | 229 | 215 | 40 | 208.5 | 24.5 | | |
| U 7SV-300/6 | 135 | 467 | 204 | 162 | 178.5 | 125 | 229 | 215 | 40 | 232.5 | 27.3 | | |
| U 7SV-350/7 | 135 | 552 | 204 | 162 | 178.5 | 125 | 229 | 230 | 40 | 256.5 | 28.0 | | |
| U 7SV-400/8 | 135 | 576 | 204 | 162 | 178.5 | 125 | 229 | 230 | 40 | 280.5 | 31.2 | | |
| U 7SV-450/9 | 135 | 633 | 204 | 162 | 178.5 | 125 | 235 | 250 | 40 | 304.5 | 36.0 | | |
| U 7SV-550/10 | 135 | 657 | 204 | 162 | 178.5 | 125 | 235 | 250 | 40 | 328.5 | 39.4 | | |
| U 9SV-200/4 | 135 | 443 | 204 | 162 | 178.5 | 125 | 229 | 215 | 40 | 208.5 | 23.9 | | |
| U 9SV-250/5 | 135 | 473 | 204 | 162 | 178.5 | 125 | 229 | 215 | 40 | 238.5 | 24.8 | | |
| U 9SV-300/6 | 135 | M 548 T 503 | 204 | 162 | 178.5 | 125 | 229 | M 230 T 215 | 40 | 268.5 | 27.9 | | |
| U 9SV-400/7 | 135 | 578 | 204 | 162 | 178.5 | 125 | 229 | 230 | 40 | 298.5 | 31.2 | | |
| U 9SV-450/8 | 135 | 641 | 204 | 162 | 178.5 | 125 | 235 | 250 | 40 | 328.5 | 35.9 | | |
| U 9SV-500/9 | 135 | 671 | 204 | 162 | 178.5 | 125 | 235 | 250 | 40 | 358.5 | 36.7 | | |
| U 9SV-550/10 | 135 | 701 | 204 | 162 | 178.5 | 125 | 235 | 250 | 40 | 388.5 | 40.0 | | |
| U 18SV-250/3 T | 135 | 451 | 204 | 162 | 178.5 | 125 | 229 | 215 | 50 | 213.5 | 28.6 | | |
| U 18SV-400/4 T | 135 | 534 | 204 | 162 | 178.5 | 125 | 229 | 230 | 50 | 251 | 31.1 | | |
| U 18SV-450/5 T | 135 | 605 | 204 | 162 | 178.5 | 125 | 235 | 250 | 50 | 288.5 | 36.2 | | |
| U 18SV-550/6 T | 135 | 642 | 204 | 162 | 178.5 | 125 | 235 | 250 | 50 | 326 | 40.0 | | |
| U 18SV-750/8 T | 135 | 763 | 204 | 162 | 178.5 | 125 | 255 | 253 | 50 | 401 | 50.4 | | |
| U 18SV-900/9 T | 135 | 801 | 204 | 162 | 178.5 | 125 | 255 | 253 | 50 | 439 | 51.0 | | |