

SPECIFICATIONS	Model	300B637							
		B-series							
		37kW, 3-phase							
<p>Type of Pump Submersible cast iron pump suitable for pumping sewage, wastewater, storm water, etc.</p> <p>Type of Fluid Sewage, wastewater, and water carrying solid matters</p> <p>Temperature: 0 to 40°C (High temperature model available on special request)</p> <p>Discharge Bore 300mm</p> <p>Motor Output 37kW</p> <p>Power Supply Three-phase</p> <p>Starting Method Star-Delta</p> <p>Motor Continuous-duty rated, dry-type induction motor</p> <p>Insulation Class: F Degree of Protection: IP68</p> <p>No. of Poles & Speed (Synchronous Speed) 6-pole, 1000/1200min⁻¹ (50/60Hz)</p> <p>Power Supply Voltages & Rated Currents</p> <table border="0"> <tr> <td>50Hz</td> <td>60Hz</td> </tr> <tr> <td>380V – 81A</td> <td>220V – 139A</td> </tr> <tr> <td>400V – 79A</td> <td>380V – 80A</td> </tr> <tr> <td>415V – 80A</td> <td>440V – 70A</td> </tr> </table> <p>Power Cable Sheath: Chloroprene rubber Standard Length: 10m 200 to 600V supply: 1 × 4 × 22mm², O.D. 28.8mm 1 × 3 × 22mm², O.D. 26.1mm 1 × 4 × 1.25mm², O.D. 11.1mm</p> <p>Dry Weight (excluding cable) Free Standing Type: 785kg Guide Rail Fitting Type: 660kg</p>	50Hz	60Hz	380V – 81A	220V – 139A	400V – 79A	380V – 80A	415V – 80A	440V – 70A	<p>Impeller Shrouded two-channel impeller for solid-handling design, dynamically balanced</p> <p>Solids Passage 50Hz – 140 × 100mm 60Hz – 140 × 65mm</p> <p>Cable Entry with Anti-Wicking Block Watertight cable entry with strain-relief device. The anti-wicking block prevents water incursion due to capillary action should the power cable be damaged or the end submerged.</p> <p>Bearings Permanently lubricated, deep-groove, double-shielded C3 ball bearings</p> <p>Shaft 420 stainless steel</p> <p>Shaft Seal (Mechanical Seal) Furnished with a double-face mechanical seal located in oil chamber. Both upper and lower seal faces always run in a clean environment.</p> <p>Upper Seal Faces: SiC + SiC Lower Seal Faces: SiC + SiC</p> <p>Oil Seal (Lip Seal) Used as a “Dust Seal”, it protects the mechanical seal from abrasive particles.</p> <p>OIL LIFTER (Patented) Equipped in oil chamber. It forcibly supplies lubricating oil to the mechanical seal and continues to supply the oil to the upper seal faces even if lubricant falls below the rated volume.</p> <p>Type of Lubricating Oil & Volume Turbine Oil (ISO VG32), 9500ml</p> <p>Motor Protection Device A miniature thermal protector is embedded in each winding of the motor. Should excessive heat builds up, the bimetal strip opens to cause the control panel to shut the power supply.</p> <p>Leakage Sensor Made of 304 stainless steel. It can be wired to a control panel to alert operators of water incursion into the oil chamber.</p>
50Hz	60Hz								
380V – 81A	220V – 139A								
400V – 79A	380V – 80A								
415V – 80A	440V – 70A								

NO. A-16497-1

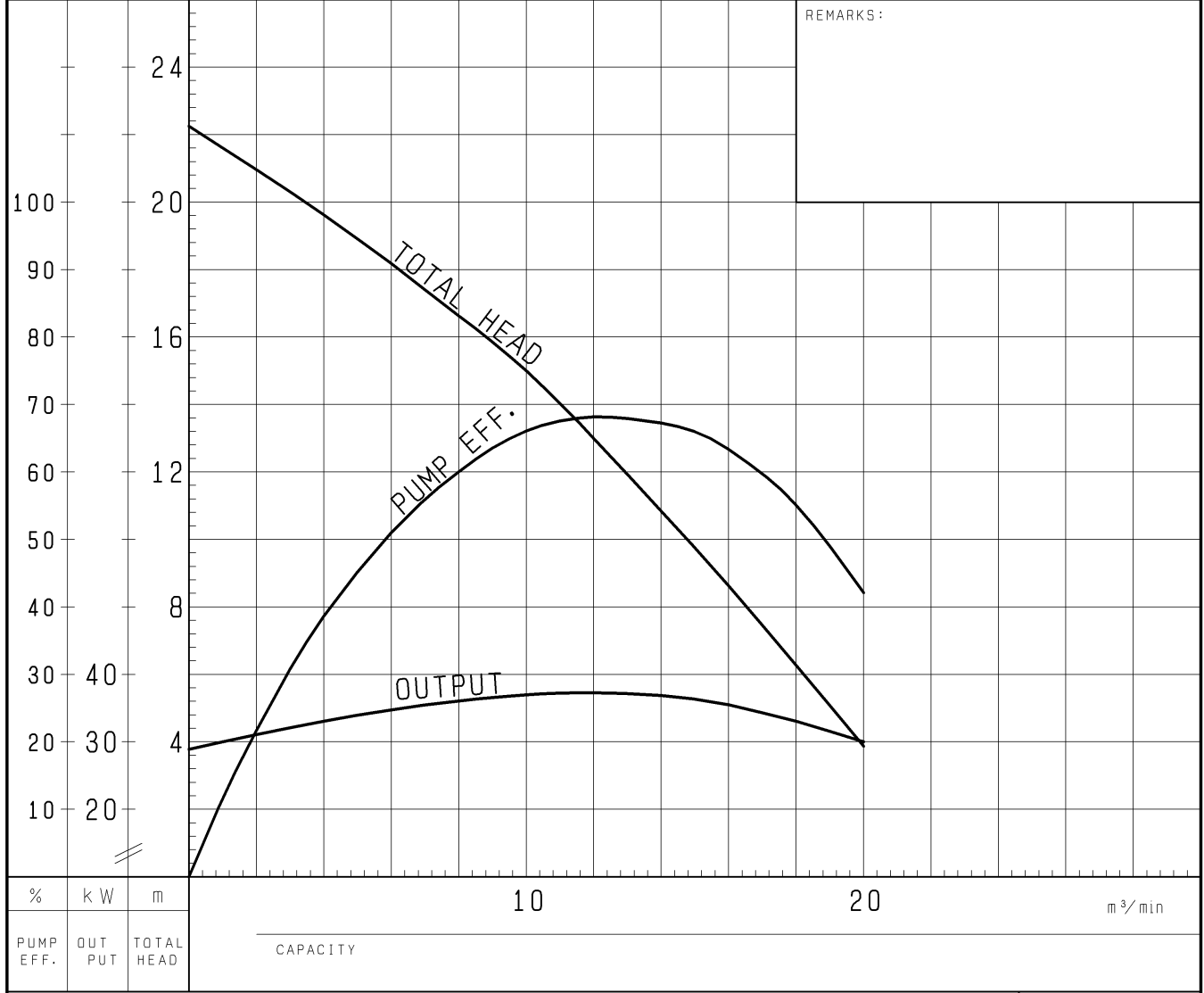
PUMP PERFORMANCE CURVES

TYPE Sewage Submersible Channel Impeller Pump	MODEL 300B637 -53 T0300B637 -53	FREQUENCY 50 Hz
--------------------------------------------------	------------------------------------	-----------------

CUSTOMER'S NAME _____

EQUIPMENT TITLE _____ NO. _____

	STANDARD SPECIFICATIONS	REQUIRED SPECIFICATIONS
DISCHARGE BORE	300 mm	mm
TOTAL HEAD	15 m	m
CAPACITY	10 m ³ /min	m ³ /min
MOTOR OUTPUT	37 kW	kW
PHASE x VOLTAGE	3 ϕ x V	ϕ x V
CURRENT	A	A
POLES / REVOLUTION	6 P / s. s. 1000 min ⁻¹	P / min ⁻¹
STARTING METHOD	STAR-DELTA	
INSULATION CLASS	F	

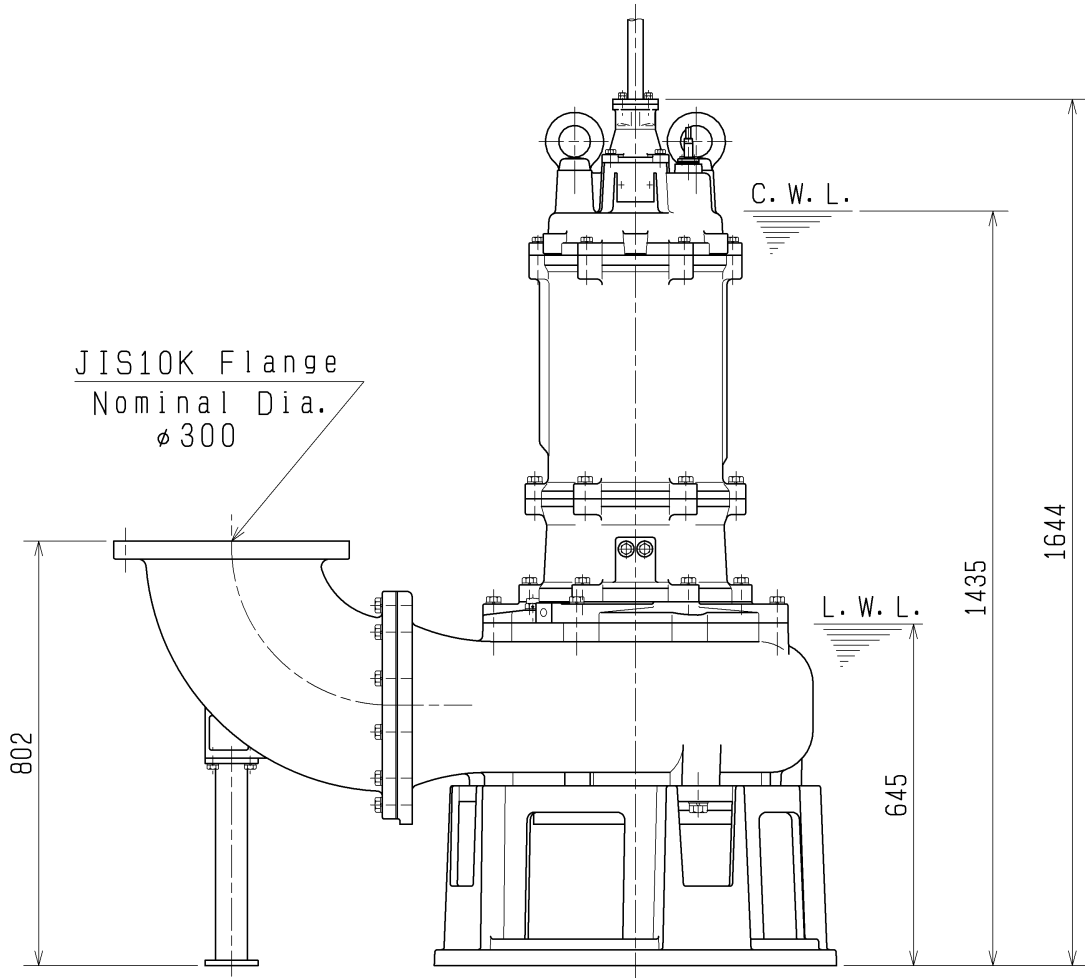
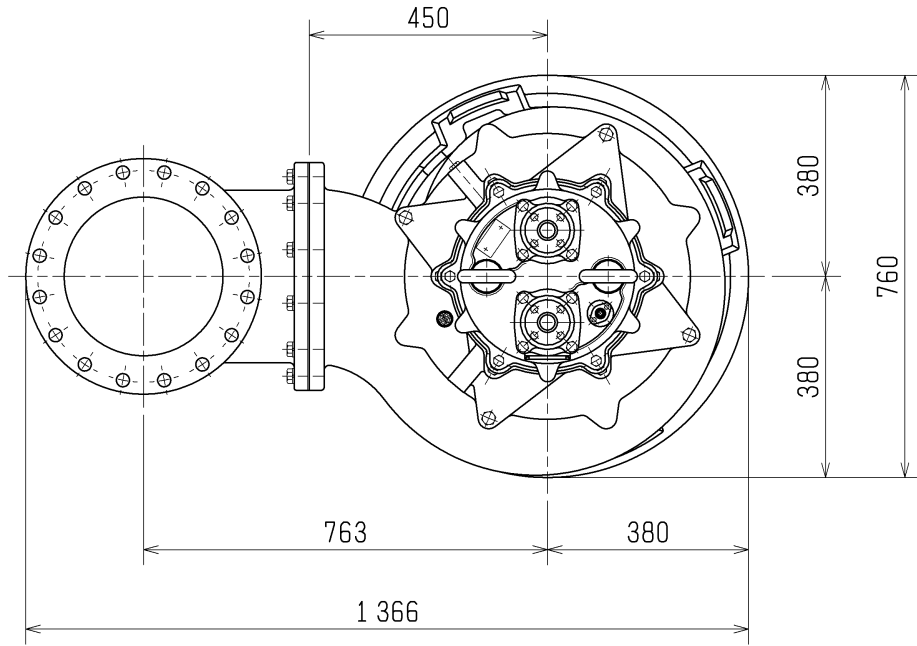


TSURUMI MFG. CO., LTD.

DIMENSION DRAWING		No.	No. A-19294-1
TYPE	Sewage Submersible Channel Impeller Pump	MODEL	300B637 -54/64

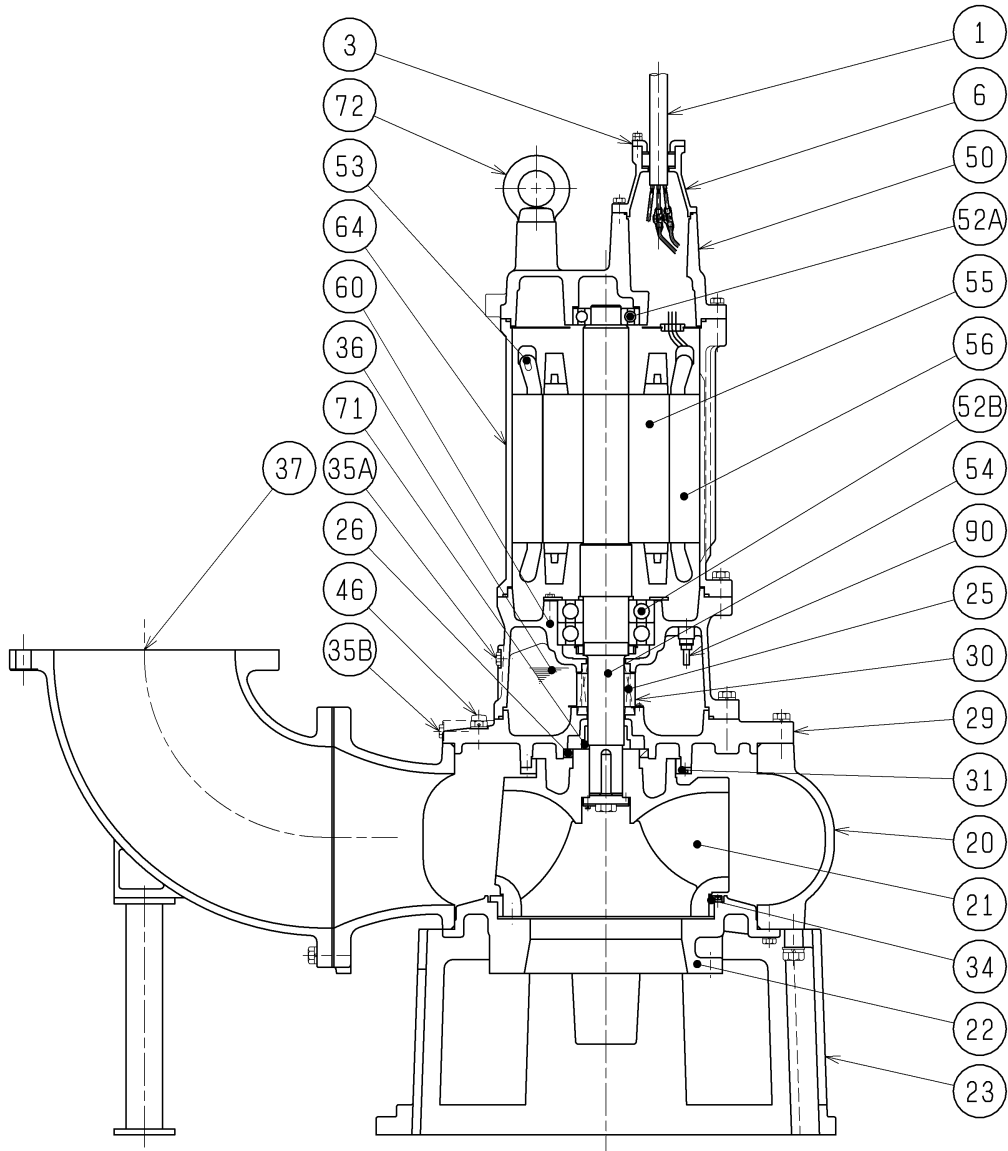
Approximate
Weight (※)
785kg

※excluding cable



C. W. L. :Continuous running Water Level
L. W. L. :Lowest running Water Level

SECTIONAL DRAWING		No.	No. A-19317-1
TYPE	Sewage Submersible Channel Impeller Pump	MODEL	300B637 -54/64 350B637 -54/64



REQ. SPECIFICATION

No.	DESCRIPTION	Q'TY	MATERIAL / NOTE	No.	DESCRIPTION	Q'TY	MATERIAL / NOTE
1	Cabtyre Cable	2	Chloroprene Sheath (For the Power)	36	Lubricant		Turbine Oil (ISO VG32)
		1	PVC Sheath (For the Control)	37	Discharge Bend	1	Gray Iron Casting
3	Gland	2	Gray Iron Casting	46	Air Release Valve	1	Nylon
6	Stuffing Box	2	Gray Iron Casting	50	Motor Bracket	1	Gray Iron Casting
20	Pump Casing	1	Gray Iron Casting	52A	Upper Bearing	1	6310ZZC3
21	Impeller	1	Gray Iron Casting	52B	Lower Bearing	1	6315ZZD2C3
22	Suction Cover	1	Gray Iron Casting	53	Motor Protector	3	
23	Strainer Stand	1	Ductile Iron Casting	54	Shaft	1	Stainless Steel 420J2
25	Mechanical Seal	1	H-60	55	Rotor	1	
26	Oil Seal	1	TC11014014	56	Stator	1	
29	Oil Casing	1	Gray Iron Casting	60	Bearing Housing	1	Gray Iron Casting
30	Oil Lifter	1	Steel Plate	64	Motor Frame	1	Gray Iron Casting
31	Wear Ring	1	Gray Iron Casting	71	Shaft Sleeve	1	Stainless Steel 304
34	Mouth Ring	1	Gray Iron Casting	72	Eye Bolt	2	Structure Steel
35A	Oil Plug	2	Stainless Steel 304	90	Leakage Sensor (Electrode)	1	Stainless Steel
35B	Oil Plug	1	Stainless Steel 304				