

| SPECIFICATIONS | Model | 400B637 | | | | | | | |
|---|-------------|---------------|------------|-------------|------------|------------|------------|------------|--|
| | | B-series | | | | | | | |
| | | 37kW, 3-phase | | | | | | | |
| <p>Type of Pump Submersible cast iron pump suitable for pumping sewage, wastewater, storm water, etc.</p> <p>Type of Fluid Sewage, wastewater, and water carrying solid matters</p> <p>Temperature: 0 to 40°C (High temperature model available on special request)</p> <p>Discharge Bore 400mm</p> <p>Motor Output 37kW</p> <p>Power Supply Three-phase</p> <p>Starting Method Star-Delta</p> <p>Motor Continuous-duty rated, dry-type induction motor</p> <p>Insulation Class: F Degree of Protection: IP68</p> <p>No. of Poles & Speed (Synchronous Speed) 6-pole, 1000/1200min⁻¹ (50/60Hz)</p> <p>Power Supply Voltages & Rated Currents</p> <table border="0"> <tr> <td>50Hz</td> <td>60Hz</td> </tr> <tr> <td>380V – 81A</td> <td>220V – 139A</td> </tr> <tr> <td>400V – 79A</td> <td>380V – 80A</td> </tr> <tr> <td>415V – 80A</td> <td>440V – 70A</td> </tr> </table> <p>Power Cable Sheath: Chloroprene rubber Standard Length: 10m 380 to 600V supply: 1 × 4 × 14mm², O.D. 21.7mm 1 × 3 × 14mm², O.D. 19.7mm 1 × 4 × 1.25mm², O.D. 11.1mm 200 to 240V supply: 1 × 4 × 22mm², O.D. 28.8mm 1 × 3 × 22mm², O.D. 26.1mm 1 × 4 × 1.25mm², O.D. 11.1mm</p> <p>Dry Weight (excluding cable) Free Standing Type: 925kg Guide Rail Fitting Type: 855kg</p> | 50Hz | 60Hz | 380V – 81A | 220V – 139A | 400V – 79A | 380V – 80A | 415V – 80A | 440V – 70A | <p>Impeller Shrouded two-channel impeller for solid-handling design, dynamically balanced</p> <p>Solids Passage 50Hz – 190 × 130mm 60Hz – 200 × 100mm</p> <p>Cable Entry with Anti-Wicking Block Watertight cable entry with strain-relief device. The anti-wicking block prevents water incursion due to capillary action should the power cable be damaged or the end submerged.</p> <p>Bearings Permanently lubricated, deep-groove, double-shielded C3 ball bearings</p> <p>Shaft 420 stainless steel</p> <p>Shaft Seal (Mechanical Seal) Furnished with a double-face mechanical seal located in oil chamber. Both upper and lower seal faces always run in a clean environment.</p> <p>Upper Seal Faces: SiC + SiC Lower Seal Faces: SiC + SiC</p> <p>Oil Seal (Lip Seal) Used as a “Dust Seal”, it protects the mechanical seal from abrasive particles.</p> <p>OIL LIFTER (Patented) Equipped in oil chamber. It forcibly supplies lubricating oil to the mechanical seal and continues to supply the oil to the upper seal faces even if lubricant falls below the rated volume.</p> <p>Type of Lubricating Oil & Volume Turbine Oil (ISO VG32), 9500ml</p> <p>Motor Protection Device A miniature thermal protector is embedded in each winding of the motor. Should excessive heat builds up, the bimetal strip opens to cause the control panel to shut the power supply.</p> <p>Leakage Sensor Made of 304 stainless steel. It can be wired to a control panel to alert operators of water incursion into the oil chamber.</p> |
| 50Hz | 60Hz | | | | | | | | |
| 380V – 81A | 220V – 139A | | | | | | | | |
| 400V – 79A | 380V – 80A | | | | | | | | |
| 415V – 80A | 440V – 70A | | | | | | | | |

NO. A-16505-1

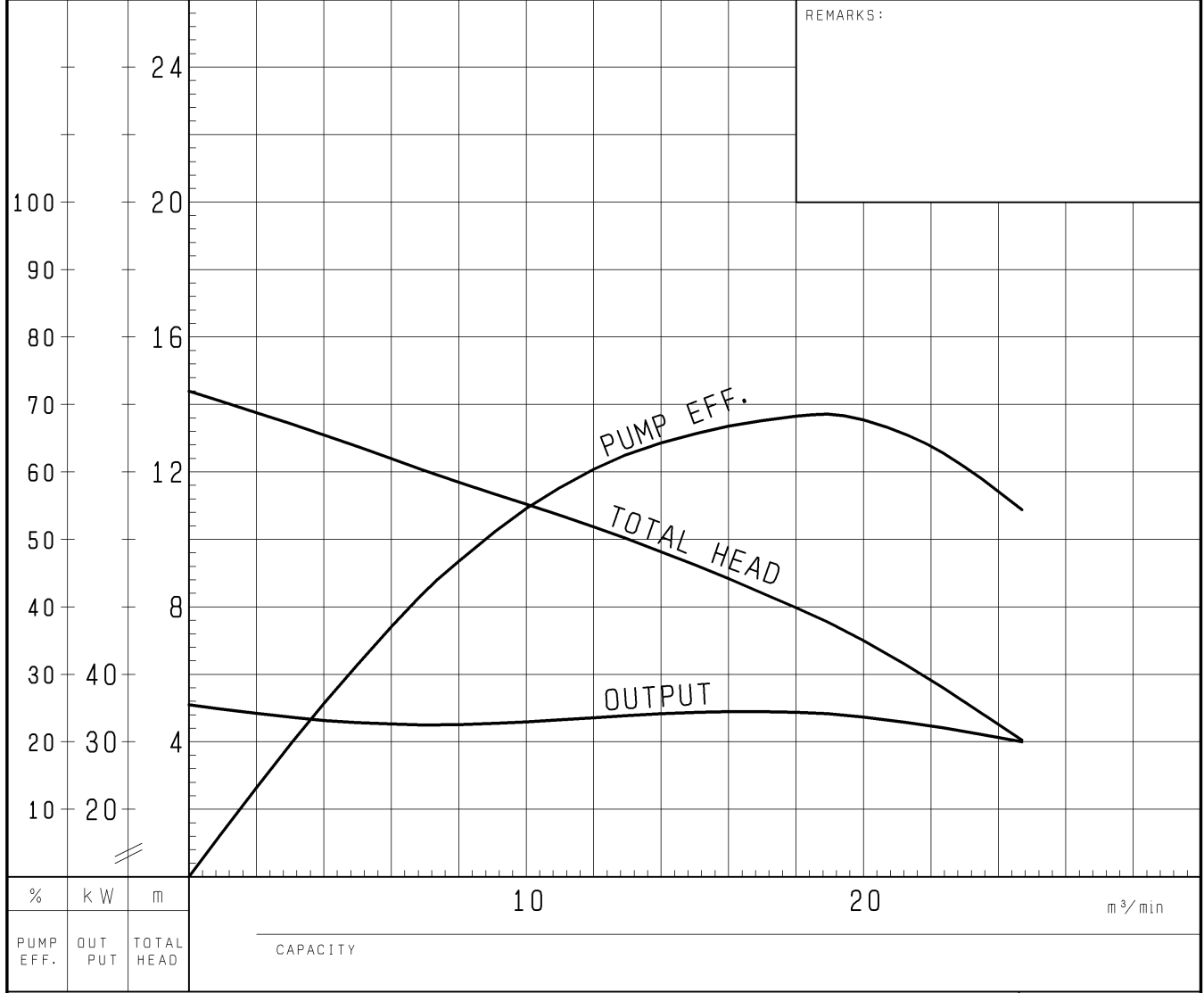
PUMP PERFORMANCE CURVES

| | | |
|--|------------------------------------|-----------------|
| TYPE Sewage Submersible Channel Impeller Pump | MODEL 400B637 -53 T0400B637 -53 | FREQUENCY 50 Hz |
|--|------------------------------------|-----------------|

CUSTOMER'S NAME _____

EQUIPMENT TITLE _____ NO. _____

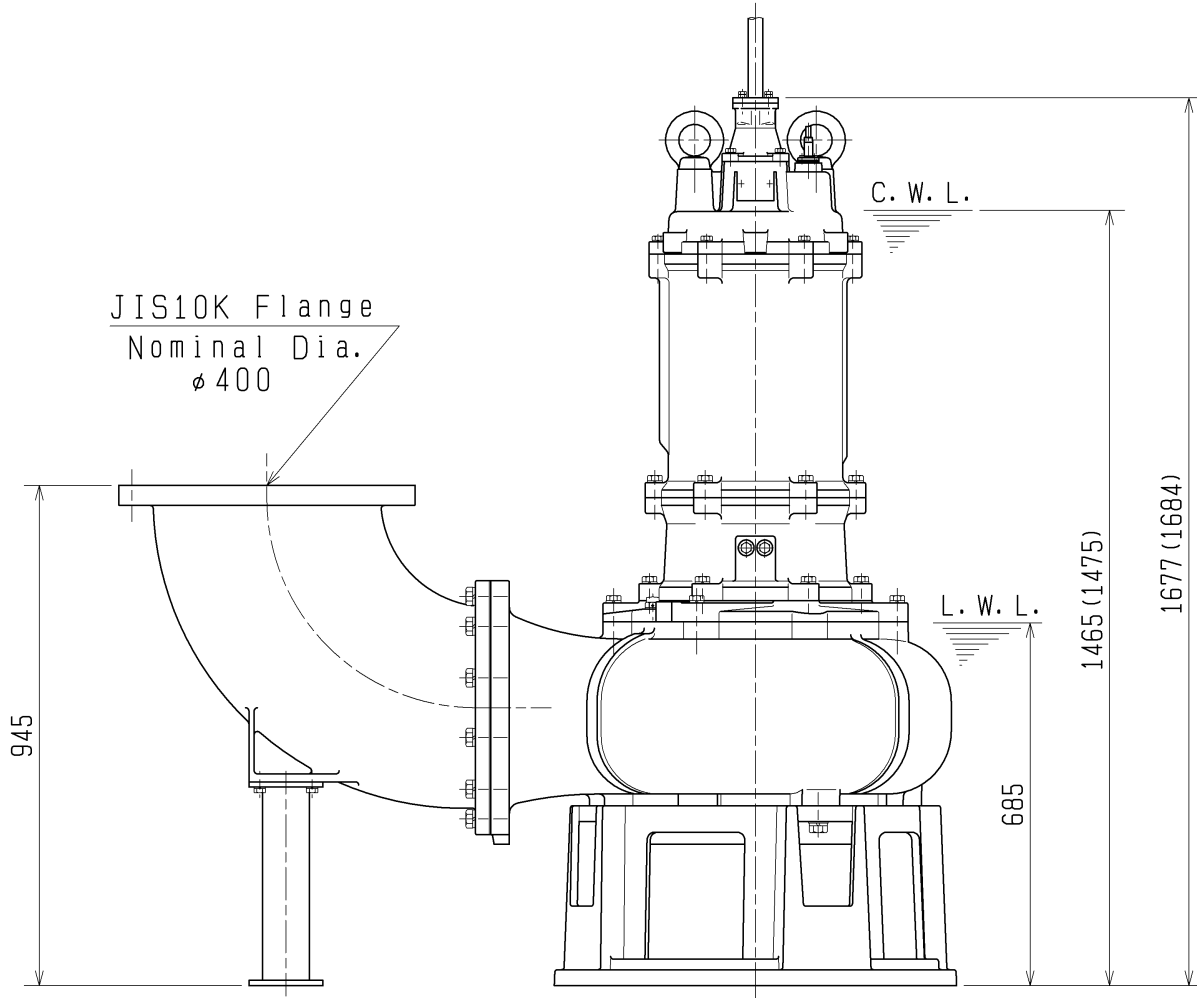
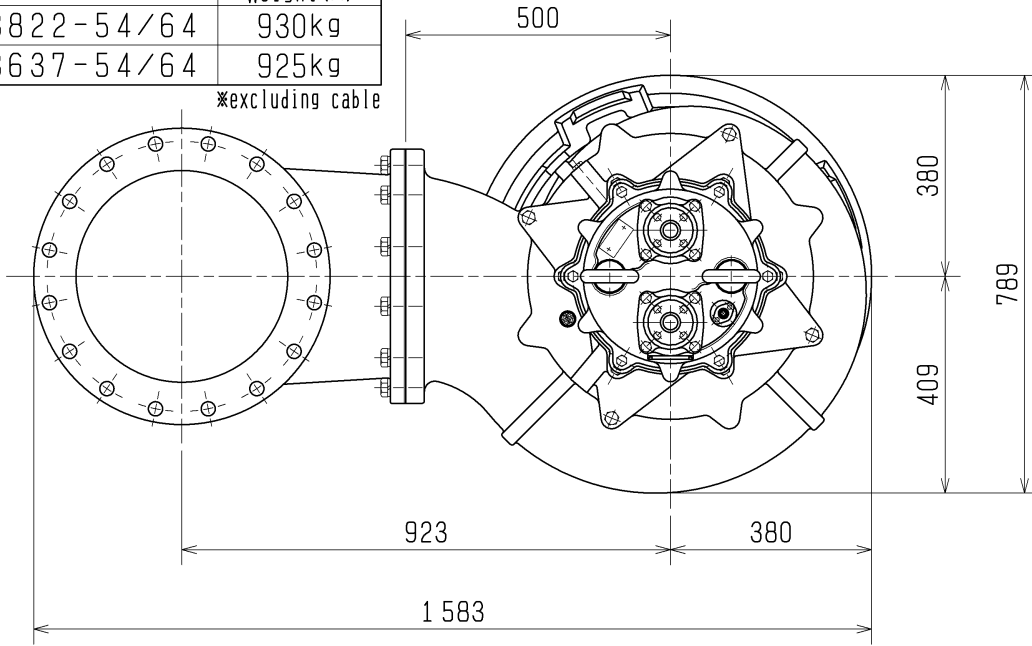
| | STANDARD SPECIFICATIONS | REQUIRED SPECIFICATIONS |
|--------------------|------------------------------------|-------------------------|
| DISCHARGE BORE | 400 mm | mm |
| TOTAL HEAD | 7 m | m |
| CAPACITY | 20 m ³ /min | m ³ /min |
| MOTOR OUTPUT | 37 kW | kW |
| PHASE x VOLTAGE | 3 ϕ x V | ϕ x V |
| CURRENT | A | A |
| POLES / REVOLUTION | 6 P / s. s. 1000 min ⁻¹ | P / min ⁻¹ |
| STARTING METHOD | STAR-DELTA | |
| INSULATION CLASS | F | |



TSURUMI MFG. CO., LTD.

| | | | |
|--------------------------|---|-------|----------------------------------|
| DIMENSION DRAWING | | No. | No. A-19296-2 |
| TYPE | Sewage Submersible Channel Impeller Pump | MODEL | 400B822 -54/64 400B637 -54/64 |

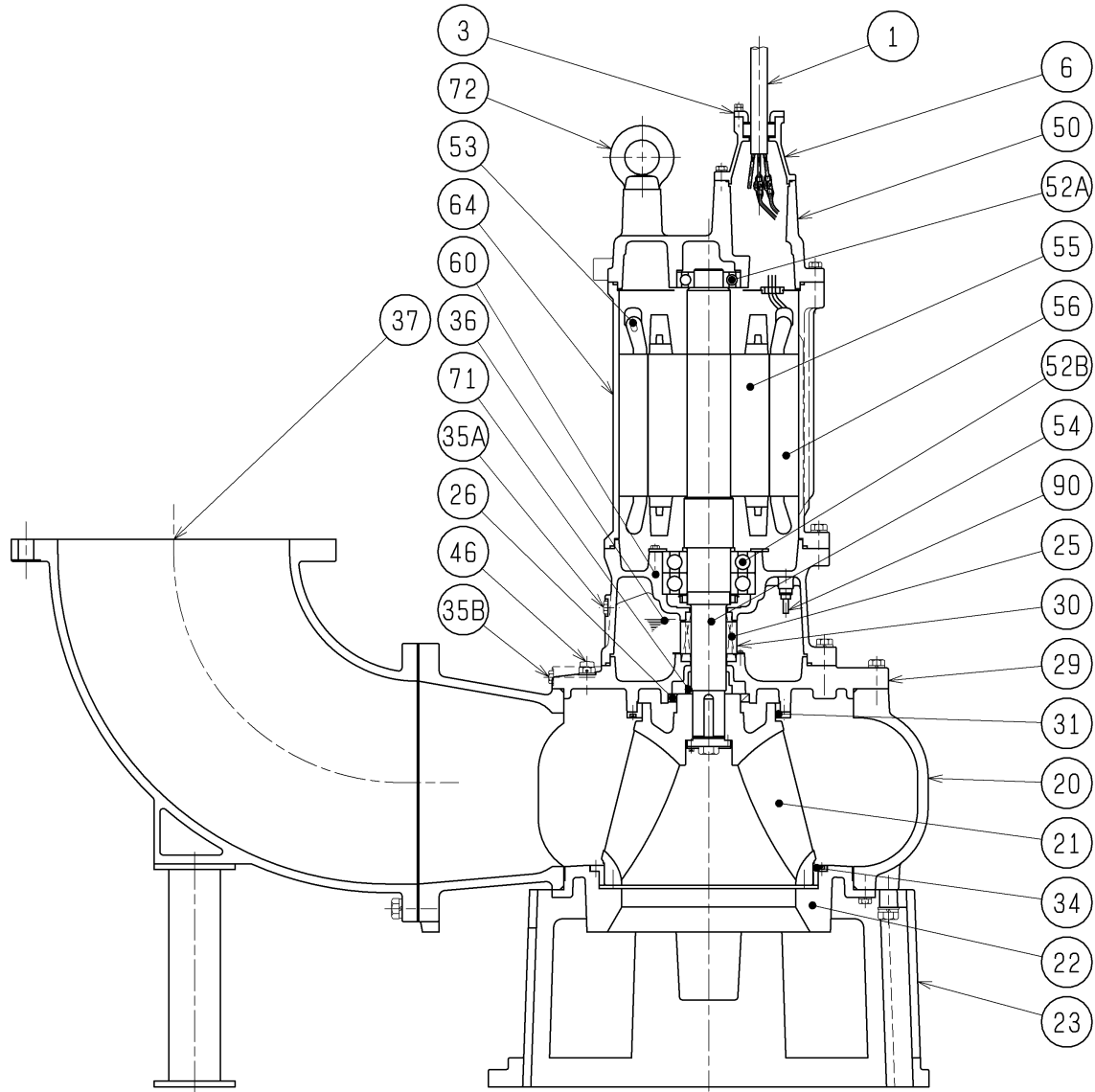
| MODEL | Approximate Weight (kg) |
|---------------|-------------------------|
| 400B822-54/64 | 930kg |
| 400B637-54/64 | 925kg |



The Figure in () shows the dimensions of 400B637.

C. W. L. :Continuous running Water Level
L. W. L. :Lowest running Water Level

| | | | |
|-------------------|---|-------|----------------|
| SECTIONAL DRAWING | | No. | No. A-19318-1 |
| TYPE | Sewage Submersible Channel Impeller Pump | MODEL | 400B637 -54/64 |



| REQ. SPECIFICATION | |
|--------------------|--|
| | |
| | |

| No. | DESCRIPTION | Q'TY | MATERIAL / NOTE | No. | DESCRIPTION | Q'TY | MATERIAL / NOTE |
|-----|-----------------|------|------------------------------------|-----|----------------------------|------|------------------------|
| 1 | Cabtyre Cable | 2 | Chloroprene Sheath (For the Power) | 36 | Lubricant | | Turbine Oil (ISO VG32) |
| | | 1 | PVC Sheath (For the Control) | 37 | Discharge Bend | 1 | Gray Iron Casting |
| 3 | Gland | 2 | Gray Iron Casting | 46 | Air Release Valve | 1 | Nylon |
| 6 | Stuffing Box | 2 | Gray Iron Casting | 50 | Motor Bracket | 1 | Gray Iron Casting |
| 20 | Pump Casing | 1 | Gray Iron Casting | 52A | Upper Bearing | 1 | 6310ZZC3 |
| 21 | Impeller | 1 | Gray Iron Casting | 52B | Lower Bearing | 1 | 6315ZZD2C3 |
| 22 | Suction Cover | 1 | Gray Iron Casting | 53 | Motor Protector | 3 | |
| 23 | Strainer Stand | 1 | Ductile Iron Casting | 54 | Shaft | 1 | Stainless Steel 420J2 |
| 25 | Mechanical Seal | 1 | H-60 | 55 | Rotor | 1 | |
| 26 | Oil Seal | 1 | TC11014014 | 56 | Stator | 1 | |
| 29 | Oil Casing | 1 | Gray Iron Casting | 60 | Bearing Housing | 1 | Gray Iron Casting |
| 30 | Oil Lifter | 1 | Steel Plate | 64 | Motor Frame | 1 | Gray Iron Casting |
| 31 | Wear Ring | 1 | Gray Iron Casting | 71 | Shaft Sleeve | 1 | Stainless Steel 304 |
| 34 | Mouth Ring | 1 | Gray Iron Casting | 72 | Eye Bolt | 2 | Structure Steel |
| 35A | Oil Plug | 2 | Stainless Steel 304 | 90 | Leakage Sensor (Electrode) | 1 | Stainless Steel |
| 35B | Oil Plug | 1 | Stainless Steel 304 | | | | |