

| SPECIFICATIONS   | Model       | 40SQ2.25S                    |             |             |             |             |             |  |   |
|--|-------------|------------------------------|-------------|-------------|-------------|-------------|-------------|--|---|
|  |             | SQ-series<br>0.25kW, 1-phase |             |             |             |             |             |  |   |
| <p><b>Type of Pump</b><br/>Submersible light-weight pump made of cast and fabricated 304 stainless steel suitable for wastewater or clean water</p> <p><b>Type of Fluid</b><br/>Wastewater and water with slightly corrosive nature</p> <p>Temperature: 0 to 40°C<br/>(High temperature model available on special request)</p> <p><b>Discharge Bore</b><br/>40mm</p> <p><b>Motor Output</b><br/>0.25kW</p> <p><b>Power Supply</b><br/>Single-phase</p> <p><b>Starting Method</b><br/>Capacitor Run</p> <p><b>Motor</b><br/>Continuous-duty rated, dry-type induction motor</p> <p>Insulation Class: E (available in F on special request)<br/>Degree of Protection: IP68</p> <p>No. of Poles &amp; Speed (Synchronous Speed)<br/>2-pole, 3000/3600min<sup>-1</sup> (50/60Hz)</p> <p>Power Supply Voltages &amp; Rated Currents</p> <table border="0"> <tr> <td>50Hz</td> <td>60Hz</td> </tr> <tr> <td>220V – 2.3A</td> <td>110V – 4.3A</td> </tr> <tr> <td>230V – 2.3A</td> <td>220V – 2.1A</td> </tr> <tr> <td>240V – 2.2A</td> <td></td> </tr> </table> <p><b>Power Cable</b><br/>Sheath: PVC<br/>Standard Length: 5m<br/>100 to 240V supply:<br/>1 × 3 × 1.25mm<sup>2</sup>, O.D. 10.1mm</p> <p><b>Dry Weight (excluding cable)</b><br/>Standard Model: 12.5kg<br/>Automatic Model: 13kg</p> | 50Hz        | 60Hz                         | 220V – 2.3A | 110V – 4.3A | 230V – 2.3A | 220V – 2.1A | 240V – 2.2A |  | <p><b>Impeller</b><br/>Vortex impeller designed for “high-gap structure”, made of cast 304 stainless steel, dynamically balanced</p> <p>Solids Passage<br/>50Hz – ϕ6mm<br/>60Hz – ϕ6mm</p> <p><b>Cable Entry with Anti-Wicking Block</b><br/>Watertight cable entry with strain-relief device. The anti-wicking block prevents water incursion due to capillary action should the power cable be damaged or the end submerged.</p> <p><b>Bearings</b><br/>Permanently lubricated, deep-groove, double-shielded C3 ball bearings</p> <p><b>Shaft</b><br/>304 stainless steel</p> <p><b>Shaft Seal (Mechanical Seal)</b><br/>Furnished with a double-face mechanical seal located in oil chamber. Both upper and lower seal faces always run in a clean environment.</p> <p>Upper Seal Faces: Ceramic + Carbon<br/>Lower Seal Faces: SiC + Ceramic</p> <p><b>OIL LIFTER (Patented)</b><br/>Equipped in oil chamber. It forcibly supplies lubricating oil to the mechanical seal and continues to supply the oil to the upper seal faces even if lubricant falls below the rated volume.</p> <p>Type of Lubricating Oil &amp; Volume<br/>Liquid Paraffin (ISO VG32), 230ml</p> <p><b>Motor Protection Device</b><br/>A miniature thermal protector is embedded in each winding of the motor. Should excessive heat builds up, the bimetal strip opens to cause the control panel to shut the power supply.</p> |
| 50Hz   | 60Hz        |                              |             |             |             |             |             |  |   |
| 220V – 2.3A  | 110V – 4.3A |                              |             |             |             |             |             |  |   |
| 230V – 2.3A  | 220V – 2.1A |                              |             |             |             |             |             |  |   |
| 240V – 2.2A  |             |                              |             |             |             |             |             |  |   |

NO. A-09924-1

# PUMP PERFORMANCE CURVES

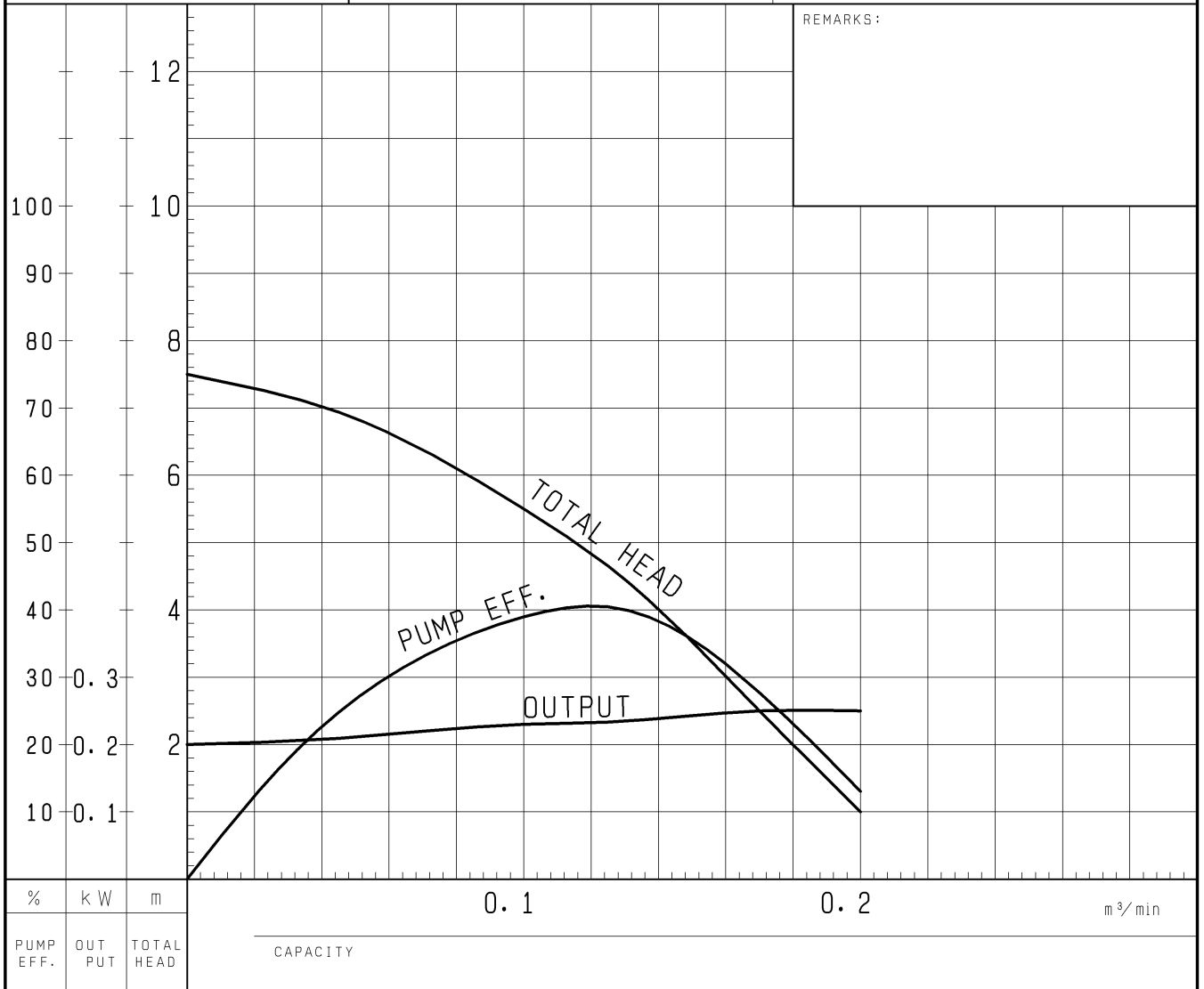
|  |  |                    |
|--|--|--------------------|
| TYPE<br>Corrosion Resistant Submersible<br>Stainless Steel Vortex Pump | MODEL<br>40SQ2.25S -52<br>40SQA2.25S -52 | FREQUENCY<br>50 Hz |
|--|--|--------------------|

CUSTOMER'S NAME \_\_\_\_\_

EQUIPMENT TITLE \_\_\_\_\_

NO. \_\_\_\_\_

|                    | STANDARD SPECIFICATIONS            | REQUIRED SPECIFICATIONS |
|--------------------|------------------------------------|-------------------------|
| DISCHARGE BORE     | 40 mm                              | mm                      |
| TOTAL HEAD         | 5.5 m                              | m                       |
| CAPACITY           | 0.1 m <sup>3</sup> /min            | m <sup>3</sup> /min     |
| MOTOR OUTPUT       | 0.25 kW                            | kW                      |
| PHASE × VOLTAGE    | 1 φ × V                            | φ × V                   |
| CURRENT            | A                                  | A                       |
| POLES / REVOLUTION | 2 P / s. s. 3000 min <sup>-1</sup> | P / min <sup>-1</sup>   |
| STARTING METHOD    | CAPACITOR MOTOR                    |                         |
| INSULATION CLASS   | E                                  |                         |

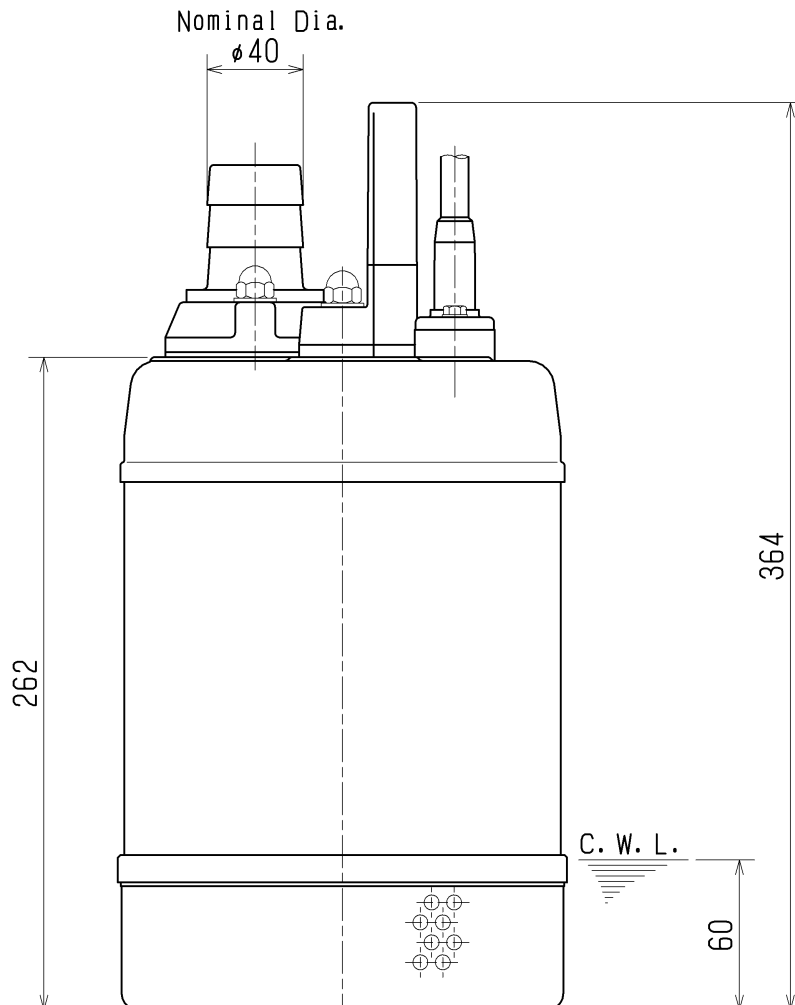
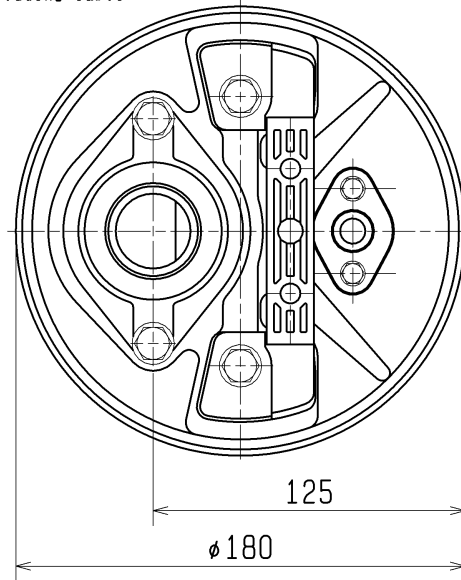


TSURUMI MFG. CO., LTD.

|                          |  |       |                                     |
|--------------------------|--|-------|-------------------------------------|
| <b>DIMENSION DRAWING</b> |  | No.   | No. A-09934-1                       |
| TYPE                     | Corrosion Resistant Submersible<br>Stainless Steel Vortex Pump | MODEL | 40SQ2.25S -52/62<br>40SQ2.25 -52/62 |

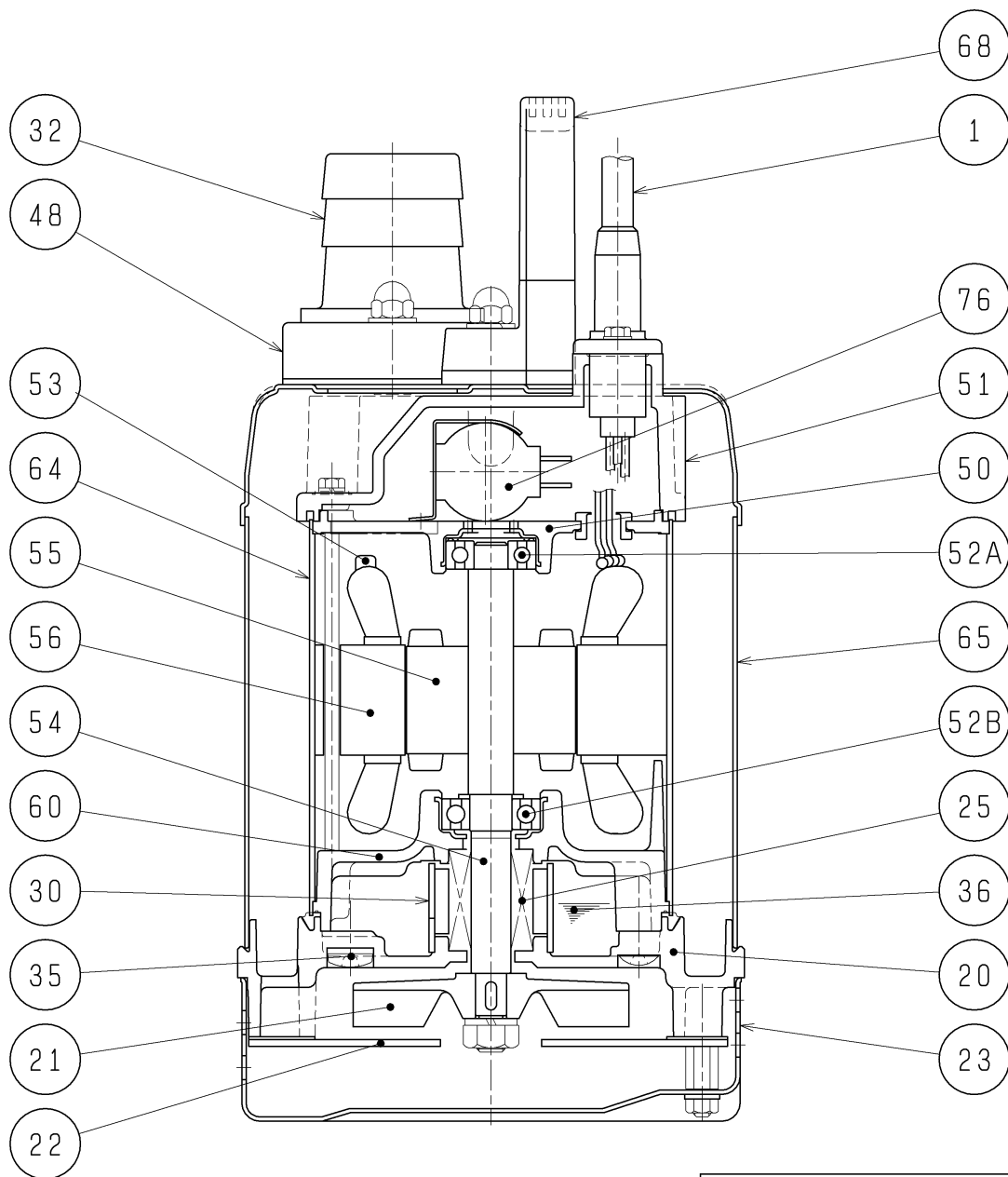
| MODEL           | Approximate Weight (kg) |
|-----------------|-------------------------|
| 40SQ2.25S-52/62 | 12.5kg                  |
| 40SQ2.25 -52/62 | 12kg                    |

\*excluding cable



C. W. L. : Continuous running Water Level

|                          |  |       |                                     |
|--------------------------|--|-------|-------------------------------------|
| <b>SECTIONAL DRAWING</b> |  | No.   | No. A-09939-3                       |
| TYPE                     | Corrosion Resistant Submersible<br>Stainless Steel Vortex Pump | MODEL | 40SQ2.25S -52/62<br>50SQ2.4S -52/62 |



| REQ. SPECIFICATION |
|--------------------|
|                    |
|                    |

※ the wetted part

| No. | DESCRIPTION     | Q'TY | MATERIAL / NOTE            | No. | DESCRIPTION     | Q'TY | MATERIAL / NOTE        |
|-----|-----------------|------|----------------------------|-----|-----------------|------|------------------------|
| 1   | Cable           | 1    | PVC Sheath                 | 52A | Upper Bearing   | 1    | 6201ZC3                |
| 20  | Pump Casing     | 1    | Stainless Steel Casting    | 52B | Lower Bearing   | 1    | 6202ZC3                |
| 21  | Impeller        | 1    | Stainless Steel Casting    | 53  | Motor Protector | 1    |                        |
| 22  | Suction Cover   | 1    | Stainless Steel 304        | 54  | Shaft           | 1    | Stainless Steel 304(※) |
| 23  | Strainer Stand  | 1    | Stainless Steel 304        | 55  | Rotor           | 1    |                        |
| 25  | Mechanical Seal | 1    | W-14HC                     | 56  | Stator          | 1    |                        |
| 30  | Oil Lifter      | 1    | Plastic                    | 60  | Bearing Housing | 1    | Aluminium Die Casting  |
| 32  | Hose Coupling   | 1    | Plastic                    | 64  | Motor Frame     | 1    | Stainless Steel 304    |
| 35  | Oil Plug        | 1    | Stainless Steel 304        | 65  | Outer Cover     | 1    | Stainless Steel 304    |
| 36  | Lubricant       |      | Liquid Paraffin (ISO VG32) | 68  | Handle          | 1    | Plastic                |
| 48  | Screwed Flange  | 1    | Plastic W/GF               | 76  | Capacitor       | 1    |                        |
| 50  | Motor Bracket   | 1    | Aluminium Die Casting      |     |                 |      |                        |
| 51  | Head Cover      | 1    | Stainless Steel Casting    |     |                 |      |                        |