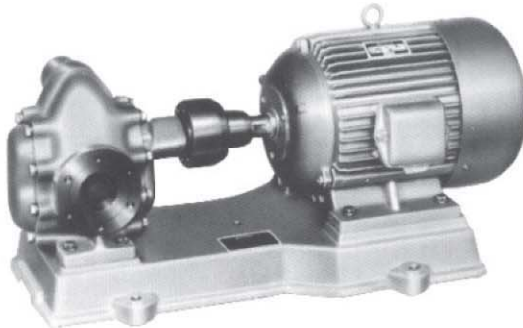


KCB 系列齿轮泵

KCB SERIES GEAR PUMP



1、用途

适用于输送不含固体颗粒和纤维，无腐蚀性，温度不高于80℃，粘度为 $5 \times 10^{-6} \sim 1.5 \times 10^{-3} \text{m}^2/\text{s}$ (5—1500cSt) 的润滑油或性质类似润滑油的其它液体。

2、应用范围

在输油系统中可用作传输、增压泵；
在燃油系统中可用作输送、加压、喷射的燃油泵；
在一切工业领域中，均可作润滑油泵用。

3、结构特点

本系列齿轮泵主要有齿轮、轴、泵体、安全阀、轴端密封等组成。齿轮经热处理有较高的硬度和强度，与轴一同安装在可更换的轴套内运转。泵内全部零件的润滑均在泵工作时利用输送介质而自动达到。

泵内有设计合理的泄油和回油槽，使齿轮在工作中承受的扭矩力最小，因此轴承负荷小，磨损小，泵效率高。

泵设有安全阀作为超载保护，安全阀的全回流压力为泵额定排出压力的1.5倍，也可在允许排出压力范围内根据实际需要另外调整。但注意本安全阀不能作减压阀长期工作，需要时可在管路上另行安装。

从主轴外伸端向泵看，为顺时针旋转。

1、Application:

It applies to delivering non-corrosive lubricating-oil or equivalent liquid without solid particles and fibres at temperature below 80℃ and with the viscosity of $5 \times 10^{-6} \sim 1.5 \times 10^{-3} \text{m}^2/\text{s}$ (5—1500cSt).

2、Application Scope

It can give performance as transfer pump or booster pump in oil delivery system. It can be also applied as fuel pump for delivery system, pressurization and injection in fuel supply system and in all industry fields as lubricating pump.

3、Structure Features

KCB series gear pumps are mainly composed of gears, axles, pump body, pump cover, safety valve and axle-end seals etc. The heat-treated gears have the advantage of higher hardness and intensity, and rotate with the axles inside the replaceable bearing sleeves. All of pump's parts can be lubricated by delivered medium when working.

The pump is properly designed with leakage and return chute, which lets the gears bear the least torque force and reduces load and wear on bearings in order to raise pump's efficiency.

It is also designed with safety valve for protection against overload. The full return flow pressure of the safety valve is 1.5 times higher than the rated exhaust pressure of the pump. It can be also adjusted within the allowance of exhaust pressure range according to circumstances. But please note the safety valve can't be applied as pressure-reducing valve for long time. You may install pressure-reducing valve separately on pipe-line if needed.

The direction of rotation is clockwise viewed from coupling end.

KCB、2CY、YCB 系列齿轮泵

SERIES GEAR PUMP

KCB型齿轮泵性能参数 FUNCTIONAL DATA OF KCB SERIES GEAR PUMPS

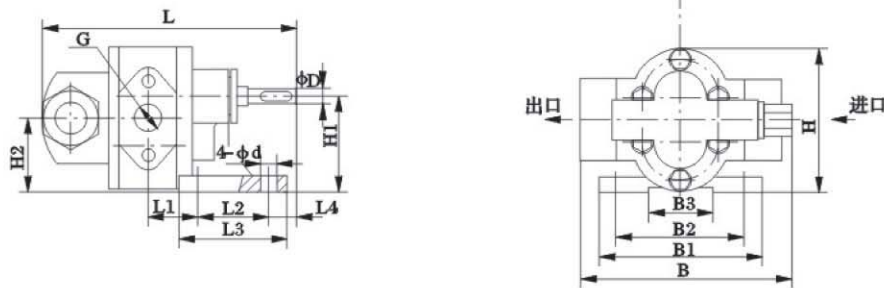
型号 Model	流量 Capacity Q		转速 Speed r/min	排出压力 Exhaust Pressure P MPa	必需汽 蚀余量 (NPSH) _r m	效率 Efficiency η %	电动机 Motor	
	m ³ /h	L/min					功率kW Power	型号 Model
KCB-18.3	1.1	18.3	1400	1.45	5	59	1.5	Y90L-4
2CY-1.1/1.45								
KCB-33.3	2	33.3	1420	1.45	5	59	2.2	Y100L1-4
2CY-2/1.45								
KCB-55	3.3	55	1400	0.33	7	41	1.5	Y90L-4
2CY-3.3/0.33								
KCB-83.3	5	83.3	1420	0.33	7	43	2.2	Y100L1-4
2CY-5/0.33								
KCB-135	8	135	940	0.33	5	46	2.2	Y112M-6
2CY-8/0.33								
KCB-200	12	200	1440	0.33	5	46	4	Y112M-4
2CY-12/0.33								
KCB-300	18	300	960	0.36	5	42	5.5	Y132M2-6
2CY-18/0.36								
KCB-483.3	29	483.3	1440	0.36	5.5	42	11	Y160M-4
2CY-29/0.36								
KCB-633	38	633	970	0.28	6	43	11	Y160L-6
2CY-38/0.28								
KCB-960	58	960	1470	0.28	6.5	43	22	Y180L-4
2CY-58/0.28								
KCB-1200	72	1200	740	0.6	7	43	37	Y280S-8
KCB-1600	95	1600	980				45	Y280S-6
KCB-1800	112	1800	740	0.6	7.5	43	55	Y315S-8
KCB-2500	150	2500	985				75	Y315S-6
KCB-2850	170	2850	740	0.6	8	44	90	Y315L1-8
KCB-3800	230	3800	989				110	Y315L1-6
KCB-4100	245	4100	743	0.6	8	44	132	Y355M1-8
KCB-5400	325	5400	989				160	Y355M1-6
KCB-5600	330	5600	744	0.6	8	44	160	Y355M2-8
KCB-7600	460	7600	989				200	Y355M3-6
KCB-7000	420	7000	744	0.6	8	44	185	Y355L1-8
KCB-9600	570	9600	989				250	Y355L2-6

2CY型齿轮泵性能参数 FUNCTIONAL DATA OF 2CY SERIES GEAR PUMPS

型号 Model	流量 Capacity Q		转速 Speed r/min	排出压力 Exhaust Pressure P MPa	必需汽 蚀余量 (NPSH) _r m	效率 Efficiency η %	电动机 Motor	
	m ³ /h	L/min					功率kW Power	型号 Model
2CY-1.08/2.5	1.08	18	1420	2.5	9.5	58	2.2	Y100L1-4
2CY-2.1/2.5	2.1	35	1420	2.5	9.5	58	3	Y100L2-4
2CY-3/2.5	3	50	1440	2.5	9.5	59	4	Y112M-4
2CY-4.2/2.5	4.2	70	1440	2.5	9.5	62	5.5	Y132S-4
2CY-7.5/2.5	7.5	125	1440	2.5	9.5	63	7.5	Y132M-4
2CY-12/2.5	12	200	1460	2.5	9.5	61	15	Y160L-4

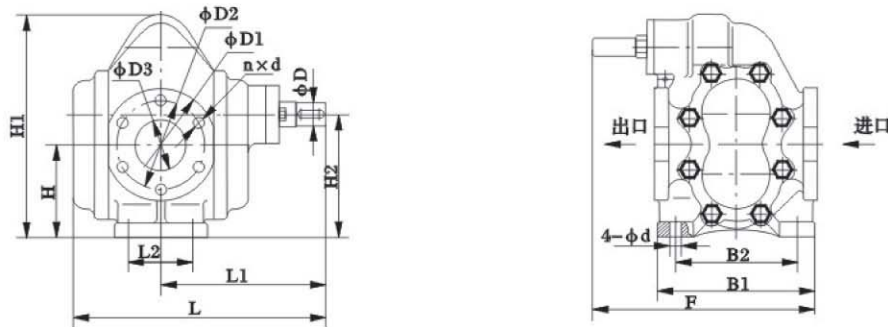
KCB、2CY、YCB 系列齿轮泵 SERIES GEAR PUMP

KCB 18.3 ~ 83.3型泵外形、安装尺寸 KCB18.3~83.3 GEAR PUMP APPERANCE & INSTALLATION DIMENSION



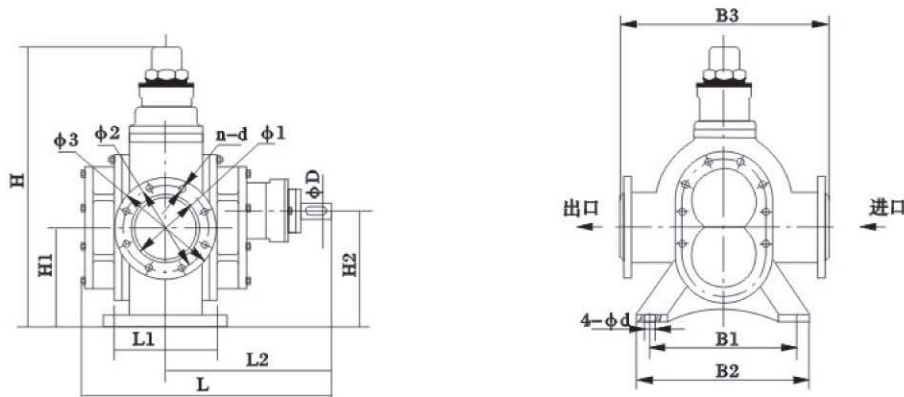
型号 Model	L	L ₁	L ₂	L ₃	L ₄	B	B ₁	B ₂	B ₃	H	H ₁	H ₂	φD	G	4-φd
KCB-18.3	217.5	35	80	115	16	192	150	120	66	136	90	69	20	G3/4"	16
KCB-33.3	231	42.5	80	115	16	192	150	120	66	136	90	69	20	G3/4"	16
KCB-55	246	50	80	115	16	192	150	120	66	136	90	69	20	G1"	16
KCB-83.3	271	62	80	115	16	192	150	120	66	136	90	69	20	G1 1/2"	16

KCB200 ~ 960型泵外形、安装尺寸 KCB200~960 GEAR PUMP APPERANCE & INSTALLATION DIMENSION



型号 Model	L	L ₁	L ₂	B ₁	B ₂	H	H ₁	H ₂	F	φD ₁	φD ₂	φD ₃	nxd	φD	4-φd
KCB-200	290	200	66	214	160	263.5	118	152.5	300	140	110	50	4-M12	28	13
KCB-300	354	230	90	228	180	308	128	170	318	155	123	70	6-M14	32	16
KCB-483.3	354	230	90	228	180	308	128	170	318	155	123	70	6-M14	32	16
KCB-633	415	270	120	280	175	385	188	205	380	190	158	100	8-M14	38	18
KCB-960	415	270	120	280	175	385	188	205	380	190	158	100	8-M14	38	18

KCB 1200 ~ 9600 型泵外形、安装尺寸 KCB1200~9600 GEAR PUMP APPERANCE & INSTALLATION DIMENSION

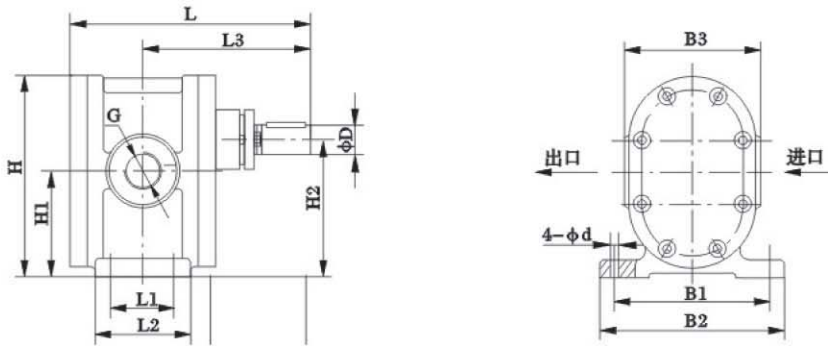


KCB、2CY、YCB 系列齿轮泵

SERIES GEAR PUMP

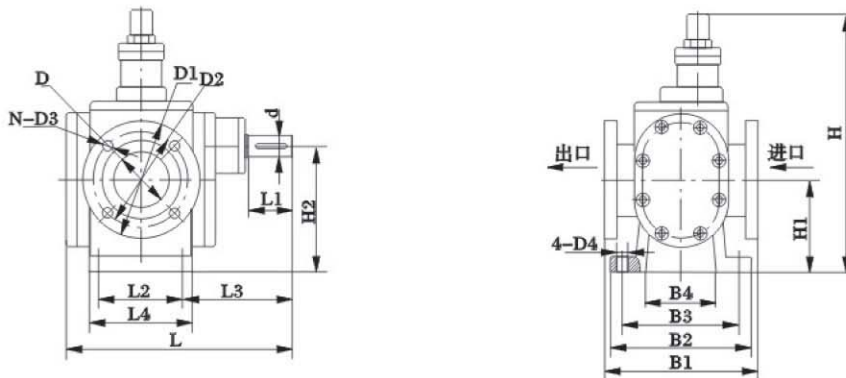
型号 Model	L	L ₁	L ₂	B ₁	B ₂	B ₃	H	H ₁	H ₂	φ1	φ2	φ3	n-d	φD	4-φD
KCB-1200	715	300	480	415	463	510	708	220	300	150	225	260	8-φ18	56	25
KCB-1600															
KCB-1800															
KCB-2500	830	340	547	460	585	684	876	262	350	200	280	320	8-φ18	76	25
KCB-2850															
KCB-3800															
KCB-4100	948	380	625	520	584	640	915	299	400	250	335	370	12-φ18	86	25
KCB-5600															
KCB-7000															
KCB-7600	1085	345	700	500	600	740	1155	386	500	350	445	490	12-φ23	95	32
KCB-9600															

2CY 型泵外形、安装尺寸 2CY GEAR PUMP APPRANCE & INSTALLATION DIMENSION



型号 Model	L	L ₁	L ₂	L ₃	B ₁	B ₂	B ₃	H	H ₁	H ₂	G	φD	4-φD
2CY-1.08/2.5	193.5	45	75	138.5	114	138	95	132	67.5	87	G3/4"	18	10
2CY-2.1/2.5	198.5	48	78	142.5	124	154	110	164.5	86	112	G1"	18	10
2CY-3/2.5	198.5	48	78	142.5	124	154	110	164.5	86	112	G1"	18	10
2CY-4.2/2.5	220	58	88	155	160	190	140	205	107.5	140	G1 1/4"	28	12
2CY-7.5/2.5	239	65	98	164.5	160	190	140	205	107.5	140	G1 1/2"	28	12
2CY-12/2.5	360	106	136	257	190	220	210	256	136	178	G2"	32	14

YCB 型泵外形、安装尺寸 YCB TYPE GEAR PUMP APPRANCE & INSTALLATION DIMENSION

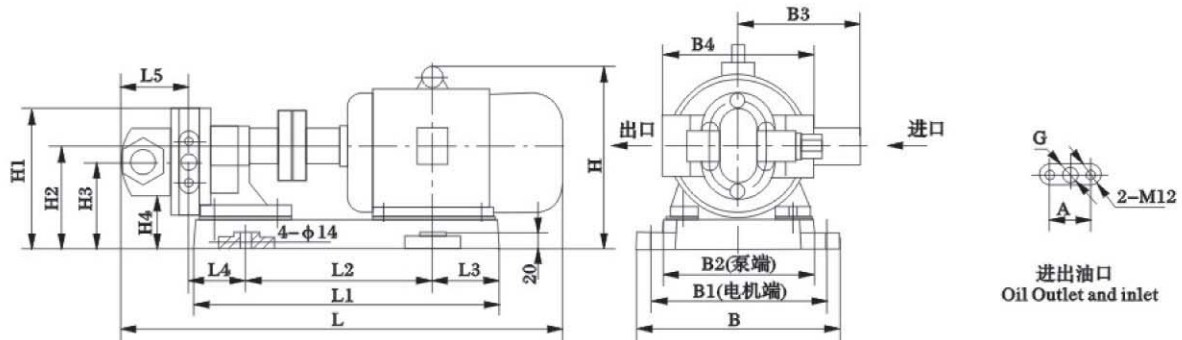


型号 Model	L	L ₁	L ₂	L ₃	L ₄	B	B ₁	B ₂	B ₃	H	H ₁	H ₂	D	D ₁	D ₂	N-D ₃	4-D ₄	d
YCB0.6	180	30	45	107.5	66	125	91	70	35	187	80	92	φ25	φ100	φ75	4-M10	4-φ9	φ12
YCB1.6	208	32	55	118.5	80	150	115	90	50	208	79.7	95	φ32	φ120	φ90	4-φ14	4-φ11	φ14
YCB3.3	247.6	35	70	132.85	98	180	148	120	75	258	87.6	110	φ40	φ130	φ100	4-φ14	4-φ13	φ18
YCB4	260.6	35	80	134.8	108	180	148	120	75	263	92.6	115	φ50	φ140	φ110	4-φ14	4-φ13	φ18
YCB8	313	45	100	158.5	138	220	178	140	90	361	105	135	φ65	φ160	φ130	4-φ14	4-φ13	φ24
YCB10	330	45	100	168.5	138	220	178	140	90	360	105	135	φ65	φ160	φ130	4-φ14	4-φ13	φ24
YCB20	400	55	135	201	182	260	226	180	118	436.5	130.8	170	φ80	φ190	φ150	4-φ18	4-φ18	φ32
YCB25	430	55	135	216	182	260	226	180	118	436.5	130.8	170	φ100	φ210	φ170	4-φ18	4-φ18	φ32
YCB30	459	60	150	236	200	275	231	190	126	461	141	185	φ100	φ210	φ170	4-φ18	4-φ18	φ35
YCB40	500	70	175	251.5	225	300	260	210	140	509	157	205	φ125	φ240	φ200	8-φ18	4-φ18	φ40
YCB50	493	70	175	246.5	225	300	260	210	140	509	157	205	φ125	φ240	φ200	8-φ18	4-φ18	φ40

KCB、2CY、YCB 系列齿轮泵 SERIES GEAR PUMP

KCB-18.3 ~ KCB-83.3 整机外形、安装尺寸及重量

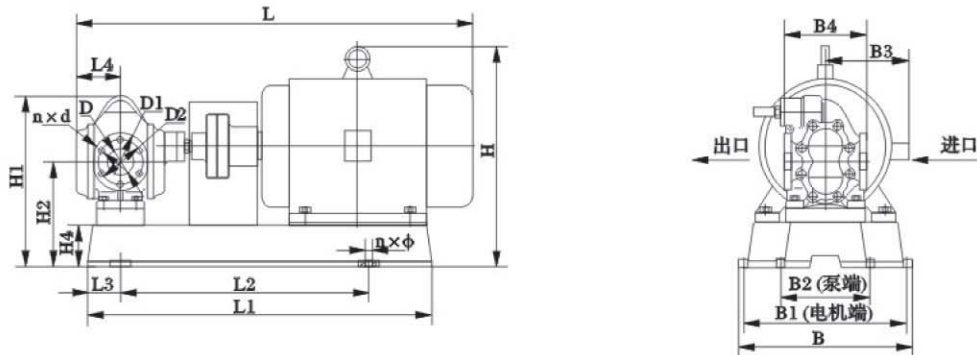
KCB-18.3 ~ KCB-83.3 GEAR PUMP APPERANCE & INSTALLATION DIMENSION AND WEIGHT



型号 Model	L	L ₁	L ₂	L ₃	L ₄	L ₅	H	H ₁	H ₂	H ₃	H ₄	B	B ₁	B ₂	B ₃	B ₄	A	G	重量 Weight(kg)
KCB-18.3	566	391	239	86	75	86	230	176	130	109	40	259	225	190	155	192	52	G ³ / ₄ "	62.15
KCB-33.3	618	416	256	94	82	93	285	186	140	119	50	279	245	190	180	192	52	G ³ / ₄ "	66.8
KCB-55	595	391	239	86	89.5	100.5	230	176	130	109	40	259	225	190	155	192	70	G1"	64.15
KCB-83.3	652	416	256	94	102	113	285	186	140	119	50	279	245	190	180	192	78	G1 ¹ / ₂ "	70.15

KCB-200 ~ KCB-960 整机外形、安装尺寸及重量

KCB-200 ~ KCB-960 GEAR PUMP APPERANCE & INSTALLATION DIMENSION AND WEIGHT

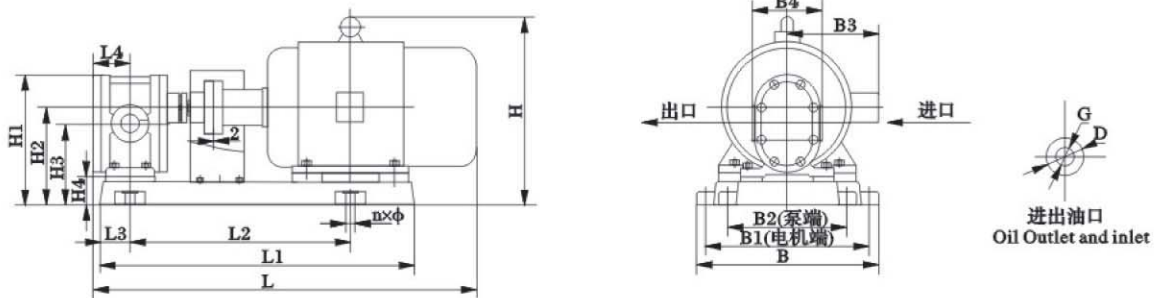


型号 Model	L	L ₁	L ₂	L ₃	L ₄	n x phi	H	H ₁	H ₂	H ₃	H ₄	B	B ₁	B ₂	B ₃	B ₄	D	D ₁	D ₂	n x d	重量 Weight(kg)
KCB-200	709	577	419	58	90	4 x phi 16	355	314	168	202	50	326	290	240	190	214	phi 50	phi 110	phi 140	4 x M12	135
KCB-300	883	715	502	80	124	4 x phi 22	423	378	198	240	70	390	340	280	210	228	phi 70	phi 123	phi 155	6 x M14	173
KCB-483.3	972	795	565	80	124	4 x phi 22	465	378	198	240	70	450	400	290	255	228	phi 70	phi 123	phi 155	6 x M14	213
KCB-633	1074	901	629	100	145	4 x phi 22	500	455	258	275	70	450	400	285	255	280	phi 100	phi 158	phi 190	8 x M14	274.5
KCB-960	1099	900	635	100	145	4 x phi 22	525	455	258	275	70	470	420	285	285	280	phi 100	phi 158	phi 190	8 x M14	304.5

KCB、2CY、YCB 系列齿轮泵 SERIES GEAR PUMP

2CY-1.08/2.5 ~ 2CY-12/2.5 整机外形、安装尺寸及重量

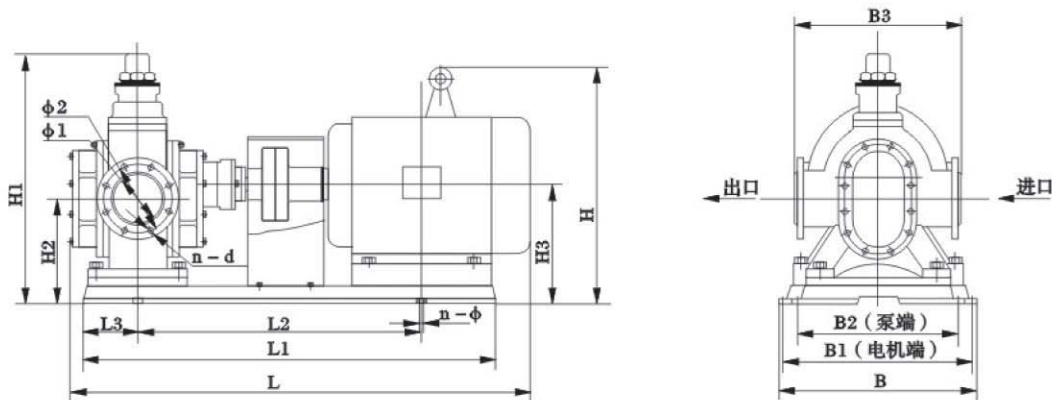
2CY-1.08/2.5 ~ 2CY-12/2.5 GEAR PUMP APPERANCE & INSTALLATION DIMENSION AND WBIGHT



型号 Model	L	L ₁	L ₂	L ₃	L ₄	H	H ₁	H ₂	H ₃	H ₄	B	B ₁	B ₂	B ₃	B ₄	G	D	n × φ	重量 Weight(kg)
2CY-1.08/2.5	582	486	339	47.5	55	290	190	145	125.5	58	293	257	190	180	95	G3/4"	φ36	4 × φ18	56
2CY-2.1/2.5	586	493	344	49	56	302	210	157	131	45	293	257	206	180	110	G1"	φ50	4 × φ18	63.5
2CY-3/2.5	605	499	349	49	56	310	210	157	131	45	333	297	206	190	110	G1"	φ50	4 × φ18	77.5
2CY-4.2/2.5	720	585	420	54	65	373	255	190	157.5	50	368	332	242	210	140	G1 1/4"	φ70	4 × φ18	121
2CY-7.5/2.5	780	637	448	60	75	378	260	195	162.5	55	368	332	242	210	140	G1 1/2"	φ70	4 × φ18	136
2CY-12/2.5	1020	862	616	78	103	468	321	243	201	65	416	380	272	255	210	G2"	φ95	4 × φ18	173

KCB-1200 ~ KCB-9600 整机外形及安装尺寸

KCB-1200 ~ KCB-9600 GEAR PUMP APPERANCE & INSTALLATION DIMENSION AND WBIGHT



型号 Model	L	L ₁	L ₂	L ₃	H	H ₁	H ₂	H ₃	B	B ₁	B ₂	B ₃	φ1	φ2	n × d	n × φ
KCB1200/0.6	1771	1470	990	194	780	828	340	420	683	631	621	510	150	225	8-φ18	4-φ25
KCB1600/0.6																
KCB1800/0.6	2036	1704	1142	230	1020	996	382	470	772	720	720	684	200	280	8-φ18	4-φ25
KCB2500/0.6																
KCB2850/0.6	2294	1930	1250	270	1070	1035	419	520	810	750	750	640	250	335	12-φ18	4-φ30
KCB3800/0.6																
KCB4100/0.6	2524	2008	1340	270	1200	1035	419	520	1163	906	750	640	250	335	12-φ18	4-φ30
KCB5400/0.6																