

SANITARY

SPL SERIES ROTARY LOBE PUMP



SPL SERIES



SPL SERIES

SPL SERIES ROTARY LOBE PUMP

SEPA KOREA CORP.

Has been engaged in the development and manufacture of sanitary pumps since 1985. SEPA KOREA, the originality of sanitary pumps, produces the reliable, good efficiency pumps and can offer high quality pumps at competitive prices. Advanced design, proper selection of materials and precision construction reflect this wide experience. Our pumps will give trouble-free operation with minimum maintenance and repair. "MAXIMIZE EFFICIENCY, MINIMIZE TROUBLE." is the SEPA KOREA's slogan

This catalogue is intended to provide the preliminary information of our pumps. For more detailed information on our pumps and technical assistance, please contact us at any time. We have experienced engineers available for pumps and related systems to assist you on pump selection, application, installation, operation, maintenance and the other technical information.



APPLICATIONS

- **Bakery**
Batters, Dough, Frostings, Fruit Fillings, Fats & Oil, Sweeteners, Yeast slurry
- **Beverage**
Alcohol & wines, Beer, Fruit Concentrates, Fruit Drinks, Soft Drinks, Wort, Yest
- **Canning**
Baby Foods, Soups, Stews, Slurries, Cream style Vegetables, Vegetable Diced, Fruit Puree, Potato Salad, Puddings, Jam, Jellies, Mayonnaise, Salad Dressings
- **Cosmetics**
Dyes, Alcohols, Face creams, Lotions, Essential oils, Hair styling gels & Liquids



- **Pharmaceutical**
Extracts, Emulsions, Pill Paste, Slurries, Syrups
- **Dairy**
Cheese Curd & Whey, Cottage cheese, Cream, Milk, Yogurt
- **Meat Packing**
Ground Meats, Meat-Emulsions, Pet Foods, Ruffle & Caul Fat



FEATURES

- Quantitative Transfer
- Simple Construction & Easy Maintenance
- Rotation Reversible
- Low Noise and Low Vibration
- Corrsion Resistant Material (SUS316 / SUS316L)
- M/Seal : Single or Double (TC/TC, Sic/Sic)

CONNECTIONS

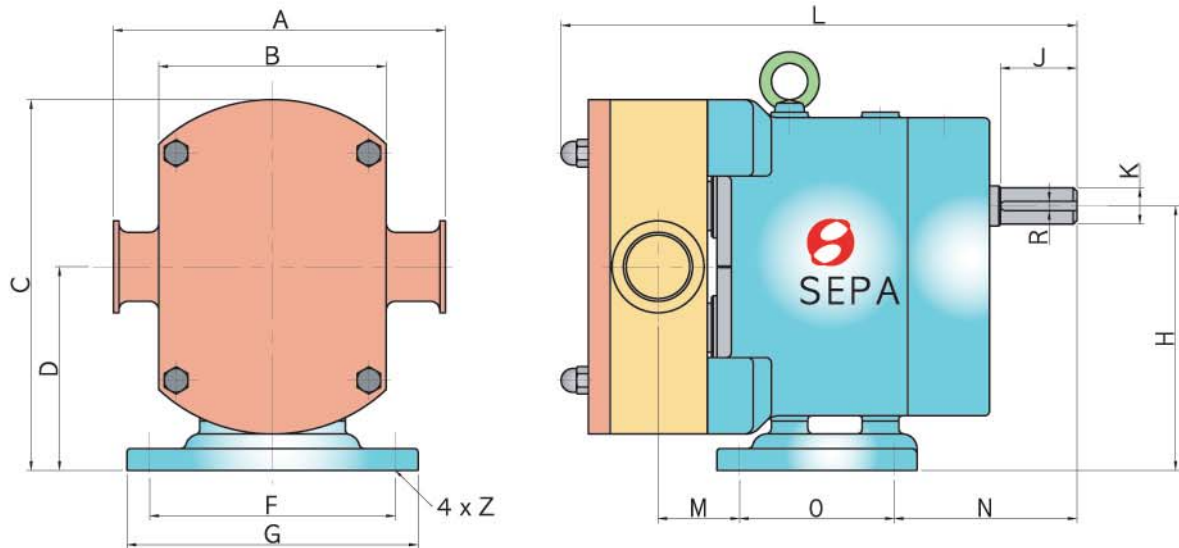
- IDF Male, ISO Clamp, 3A, SMS, DIN and Flange

STANDARD SPECIFICATIONS

MODEL	CONNECTION		CAPACITY (ℓ / 1rev)	MAXIMUM SPEED (Rev/min)	MAX.ALLOW. PRESS.	
	mm	Inches			BAR	PSI
SPL-25	23.0	1.0 S	0.09	800	10	145
SPL-50	35.7	1.5 S	0.11	800	10	145
SPL-100	35.7	1.5 S	0.20	500	10	145
SPL-150	47.8	2.0 S	0.28	500	10	145

SPL SERIES ROTARY LOBE PUMP

PUMP DIMENSION



MODEL	Port	A	B	C	D	F	G	H	J	K	L	M	N	O	R	Z
SPL-25	1.0S	174	125	204	112	135	160	140.5	42	20	278	45	100	85	6	12
SPL-50	1.5S	174	125	204	112	135	160	140.5	42	20	283	45	100	85	6	12
SPL-100	1.5S	218	132	268	153	128	162	195	45	27	328	50	122	100	8	15
SPL-150	2.0S	218	132	268	153	128	162	195	45	27	340	50	122	100	8	15



SEPA KOREA CORP.

Head Office & Factory

438-22 Bugyang-dong, Hwaseong-Si,
Gyeonggi-do, 445-040, KOREA

Sanitary Div T) +82)70-8769-6301, F) +82)31-356-7685

Pump Div T) +82)70-8769-2823

M.Seal Div T) +82)70-8769-6300

<http://www.sepakorea.com>

Agent