

SPECIFICATIONS	Model	150B422	
		B-series	
		22kW, 3-phase	

<p>Type of Pump Submersible cast iron pump suitable for pumping sewage, wastewater, storm water, etc.</p> <p>Type of Fluid Sewage, wastewater, and water carrying solid matters</p> <p>Temperature: 0 to 40°C (High temperature model available on special request)</p> <p>Discharge Bore 150mm</p> <p>Motor Output 22kW</p> <p>Power Supply Three-phase</p> <p>Starting Method Star-Delta</p> <p>Motor Continuous-duty rated, dry-type induction motor</p> <p>Insulation Class: F Degree of Protection: IP68</p> <p>No. of Poles & Speed (Synchronous Speed) 4-pole, 1500/1800min⁻¹ (50/60Hz)</p> <p>Power Supply Voltages & Rated Currents</p> <table border="0"> <tr> <td>50Hz</td> <td>60Hz</td> </tr> <tr> <td>380V – 43.5A</td> <td>220V – 75.0A</td> </tr> <tr> <td>400V – 42.5A</td> <td>380V – 43.4A</td> </tr> <tr> <td>415V – 42.0A</td> <td>440V – 37.5A</td> </tr> </table> <p>Power Cable Sheath: Chloroprene rubber Standard Length: 10m 200 to 600V supply: 1 × 4 × 14mm², O.D. 21.7mm 1 × 3 × 14mm², O.D. 19.7mm 1 × 2 × 1.25mm², O.D. 9.6mm</p> <p>Dry Weight (excluding cable) Free Standing Type: 327kg Guide Rail Fitting Type: 298kg</p>	50Hz	60Hz	380V – 43.5A	220V – 75.0A	400V – 42.5A	380V – 43.4A	415V – 42.0A	440V – 37.5A	<p>Impeller Shrouded two-channel impeller for solid-handling design, dynamically balanced</p> <p>Solids Passage 50Hz – φ75mm 60Hz – φ75mm</p> <p>Cable Entry with Anti-Wicking Block Watertight cable entry with strain-relief device. The anti-wicking block prevents water incursion due to capillary action should the power cable be damaged or the end submerged.</p> <p>Bearings Permanently lubricated, deep-groove, double-shielded C3 ball bearings</p> <p>Shaft 420 stainless steel</p> <p>Shaft Seal (Mechanical Seal) Furnished with a double-face mechanical seal located in oil chamber. Both upper and lower seal faces always run in a clean environment.</p> <p>Upper Seal Faces: SiC + SiC Lower Seal Faces: SiC + SiC</p> <p>Oil Seal (Lip Seal) Used as a “Dust Seal”, it protects the mechanical seal from abrasive particles.</p> <p>Pressure Relief Port Protects the mechanical seal from over rated limits, and also protects the seal faces from abrasive particles by drawing particles away.</p> <p>OIL LIFTER (Patented) Equipped in oil chamber. It forcibly supplies lubricating oil to the mechanical seal and continues to supply the oil to the upper seal faces even if lubricant falls below the rated volume.</p> <p>Type of Lubricating Oil & Volume Turbine Oil (ISO VG32), 4600ml</p> <p>Motor Protection Device A miniature thermal protector is embedded in each winding of the motor. Should excessive heat builds up, the bimetal strip opens to cause the control panel to shut the power supply.</p>
50Hz	60Hz								
380V – 43.5A	220V – 75.0A								
400V – 42.5A	380V – 43.4A								
415V – 42.0A	440V – 37.5A								

<p>Optional Accessories</p> <p>Bend Set (Free Standing Type)</p> <ul style="list-style-type: none"> • Discharge Bend • JIS 10kg/cm² Screwed Flange <p>Stand Set (Free Standing Type)</p> <ul style="list-style-type: none"> • Stand 		<p>TOS Set (Guide Rail Fitting Type)</p> <ul style="list-style-type: none"> • Duckfoot Bend • Guide Support • Guide Hook • Lifting Chain 5m (with Shackles) • JIS 10kg/cm² Screwed Flange <p>External Leakage Sensor</p>
--	--	--

NO. A-17790-1

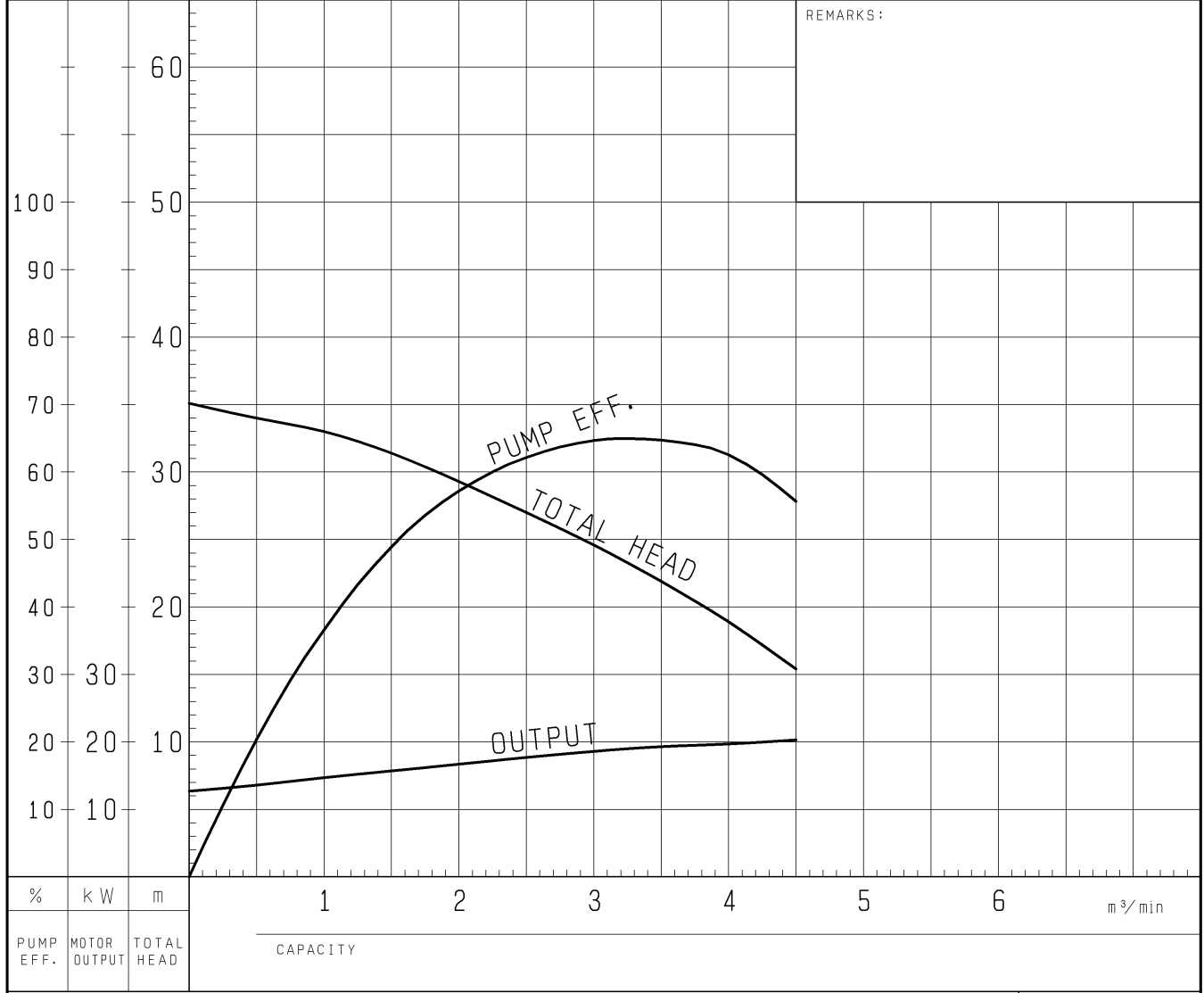
PUMP PERFORMANCE CURVES

TYPE Sewage Submersible Channel Impeller Pump	MODEL 150B422 -55 TOS150B422 -55	FREQUENCY 50 Hz
--	-------------------------------------	-----------------

CUSTOMER'S NAME _____

EQUIPMENT TITLE _____ NO. _____

	STANDARD SPECIFICATIONS	REQUIRED SPECIFICATIONS
DISCHARGE BORE	150 mm	mm
TOTAL HEAD	27 m	m
CAPACITY	2.5 m ³ /min	m ³ /min
MOTOR OUTPUT	22 kW	kW
PHASE x VOLTAGE	3 ϕ x V	ϕ x V
CURRENT	A	A
POLES / REVOLUTION	4 P / s. s. 1500 min ⁻¹	P / min ⁻¹
STARTING METHOD	STAR-DELTA	
INSULATION CLASS	F	

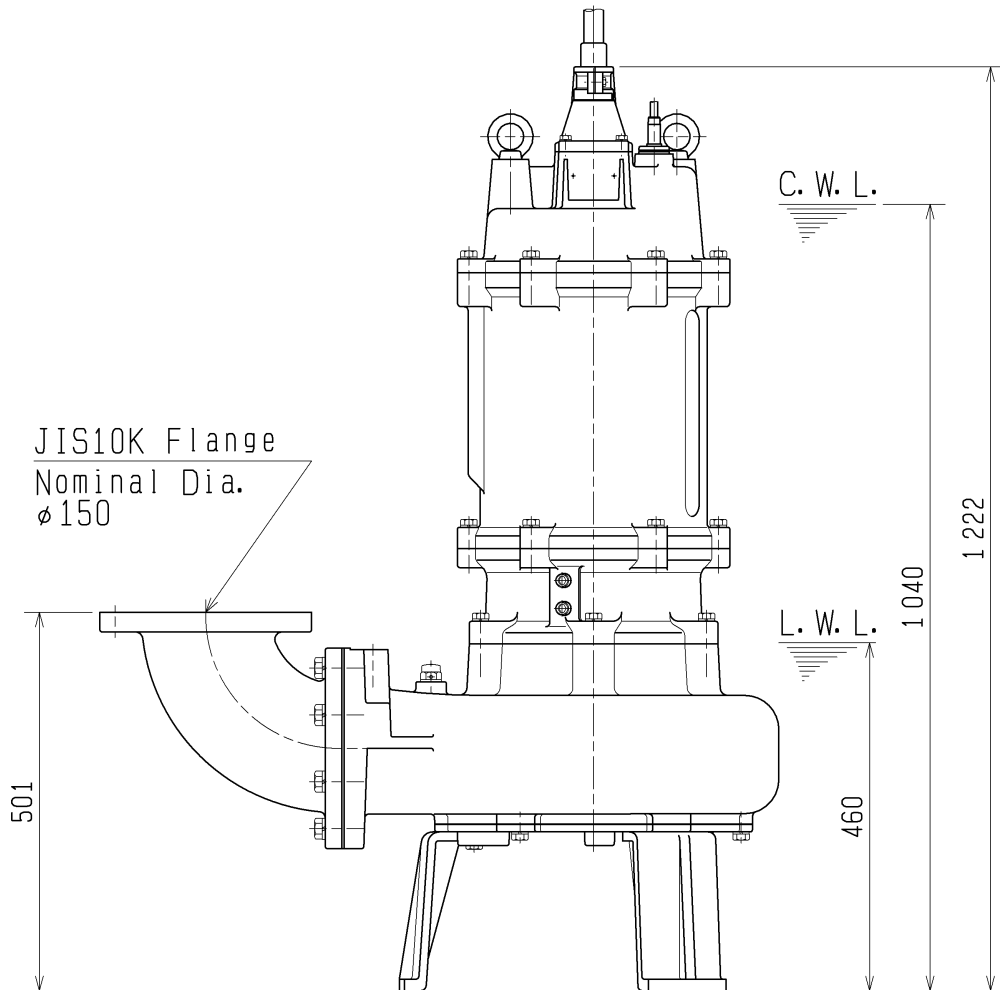
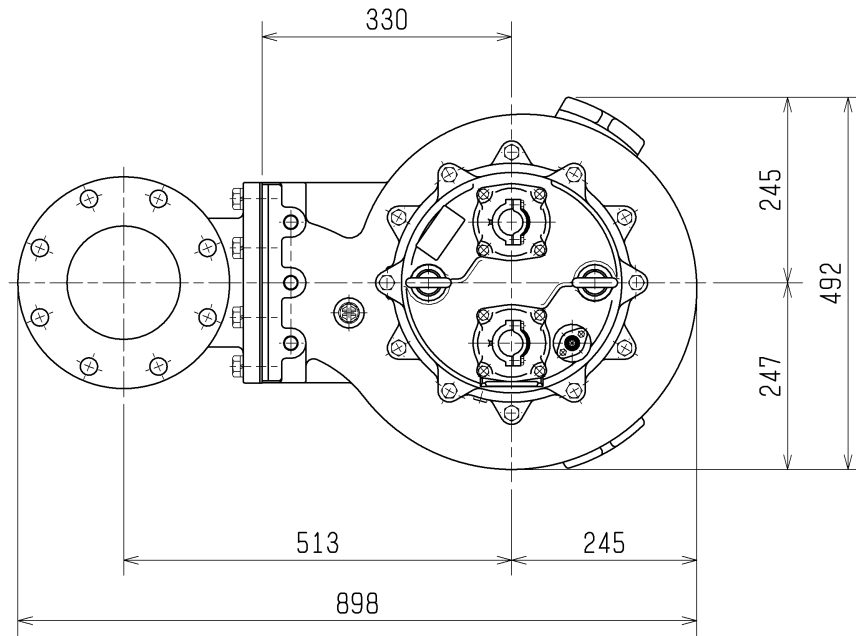


TSURUMI MFG. CO., LTD.

DIMENSION DRAWING		No.	No. A-17796-1
TYPE	Sewage Submersible Channel Impeller Pump	MODEL	150B422 -55/65

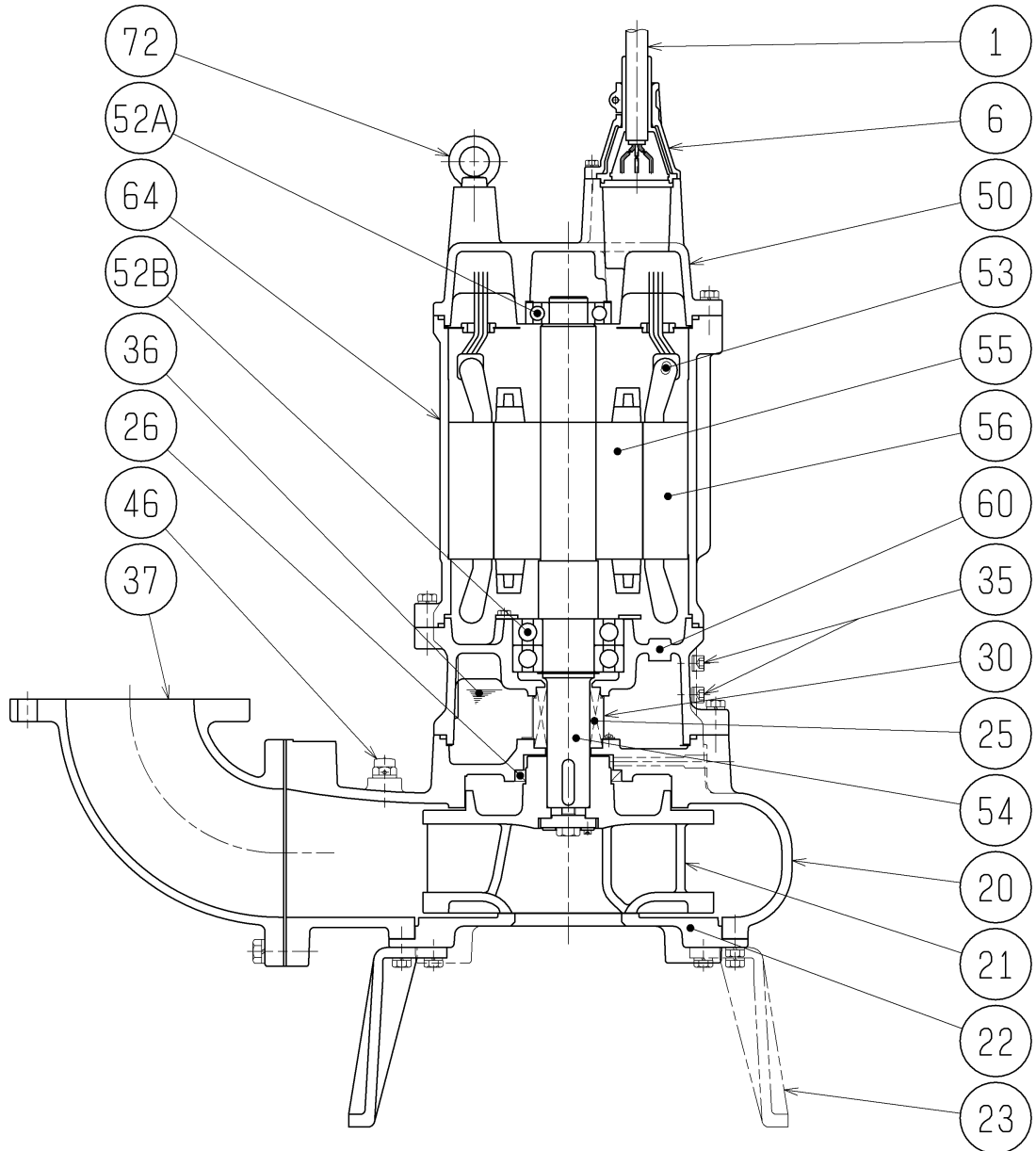
Approximate Weight (※)
327kg

※excluding cable



C. W. L. :Continuous Running Water Level
L. W. L. :Lowest Running Water Level

SECTIONAL DRAWING		No.	No. A-17799-1
TYPE	Sewage Submersible Channel Impeller Pump	MODEL	150B422 -55/65



REQ. SPECIFICATION

No.	DESCRIPTION	Q'TY	MATERIAL / NOTE	No.	DESCRIPTION	Q'TY	MATERIAL / NOTE
1	Cabtyre Cable	2	Chloroprene Sheath (For the Power)	46	Air Release Valve	1	Nylon
		1	PVC Sheath (For the Control)	50	Motor Bracket	1	Gray Iron Casting
6	Stuffing Box	2	Gray Iron Casting	52A	Upper Bearing	1	6309ZZC3
20	Pump Casing	1	Gray Iron Casting	52B	Lower Bearing	1	6312ZZD2C3
21	Impeller	1	Gray Iron Casting	53	Motor Protector	3	
22	Suction Cover	1	Gray Iron Casting	54	Shaft	1	Stainless Steel 420J2
23	Stand	3	Ductile Iron Casting	55	Rotor	1	
25	Mechanical Seal	1	H-50T	56	Stator	1	
26	Oil Seal	1	TC10012513	60	Bearing Housing	1	Gray Iron Casting
30	Oil Lifter	1	Steel Sheet	64	Motor Frame	1	Gray Iron Casting
35	Oil Plug	2	Stainless Steel 304	72	Eye Bolt	2	Stainless Steel
36	Lubricant		Turbine Oil (ISO VG32)				
37	Discharge Bend	1	Gray Iron Casting				