

SPECIFICATIONS	Model	NKZ3-C4/A4							
		NKZ-series 3.7kW, 3-phase							
<p><b>Type of Pump</b> Submersible slurry pump for construction and foundation works, mining, and quarries, etc.</p> <p><b>Type of Fluid</b> Water containing sand, mud, and slurry</p> <p>Temperature: 0 to 40°C (High temperature model available on special request)</p> <p><b>Discharge Bore &amp; Connection</b> 100mm, Hose Coupling</p> <p><b>Motor Output</b> 3.7kW</p> <p><b>Power Supply</b> Three-phase</p> <p><b>Starting Method</b> Direct on Line (Star-Delta available on special request)</p> <p><b>Motor</b> Continuous-duty rated, dry-type induction motor</p> <p>Insulation Class: E Degree of Protection: IP68</p> <p>No. of Poles &amp; Speed (Synchronous Speed) 4-pole, 1500/1800min<sup>-1</sup> (50/60Hz)</p> <p>Power Supply Voltages &amp; Rated Currents</p> <table border="0"> <tr> <td>50Hz</td> <td>60Hz</td> </tr> <tr> <td>380V – 8.3A</td> <td>220V – 14.4A</td> </tr> <tr> <td>400V – 8.0A</td> <td>380V – 8.3A</td> </tr> <tr> <td>415V – 7.8A</td> <td>440V – 7.2A</td> </tr> </table> <p><b>Power Cable</b> Sheath: Chloroprene rubber Standard Length: 8m 200 to 600V supply: 1 x 4 x 2.0mm<sup>2</sup>, O.D. 14.4mm</p> <p><b>Dry Weight (excluding cable)</b> Free Standing Type: 97kg Guide Rail Fitting Type: 95kg</p>	50Hz	60Hz	380V – 8.3A	220V – 14.4A	400V – 8.0A	380V – 8.3A	415V – 7.8A	440V – 7.2A	<p><b>Impeller</b> Semi-open Impeller made of ductile cast iron</p> <p>Solids Passage 50Hz – <math>\phi</math>30mm 60Hz – <math>\phi</math>30mm</p> <p><b>Agitator</b> Ductile cast iron</p> <p><b>Cable Entry with Anti-Wicking Block</b> Watertight cable entry with strain-relief device. The anti-wicking block prevents water incursion due to capillary action should the power cable be damaged or the end submerged.</p> <p><b>Bearing</b> Permanently lubricated, deep-groove, double-shielded C3 ball bearings</p> <p><b>Shaft</b> 420 stainless steel</p> <p><b>Shaft Seal (Mechanical Seal)</b> Furnished with a double-face mechanical seal located in oil chamber. Both upper and lower seal faces always run in a clean environment.</p> <p>Upper Seal Face: SiC + SiC Lower Seal Face: SiC + SiC</p> <p><b>Oil Seal (Lip Seal)</b> Used as a “Dust Seal”, it protects the mechanical seal from abrasive particles.</p> <p><b>OIL LIFTER (Patented)</b> Equipped in oil chamber. It forcibly supplies lubricating oil to the mechanical seal and continues to supply the oil to the upper seal faces even if lubricant falls below the rated volume.</p> <p>Type of Lubricating Oil &amp; Volume Turbine Oil (ISO VG32), 700ml</p> <p><b>Motor Protection Device</b> A circle thermal protector built in the motor housing. Directly cuts the motor circuit if excessive heat builds up or an overcurrent condition occurs in the motor.</p>
50Hz	60Hz								
380V – 8.3A	220V – 14.4A								
400V – 8.0A	380V – 8.3A								
415V – 7.8A	440V – 7.2A								

NO. A-22040-1

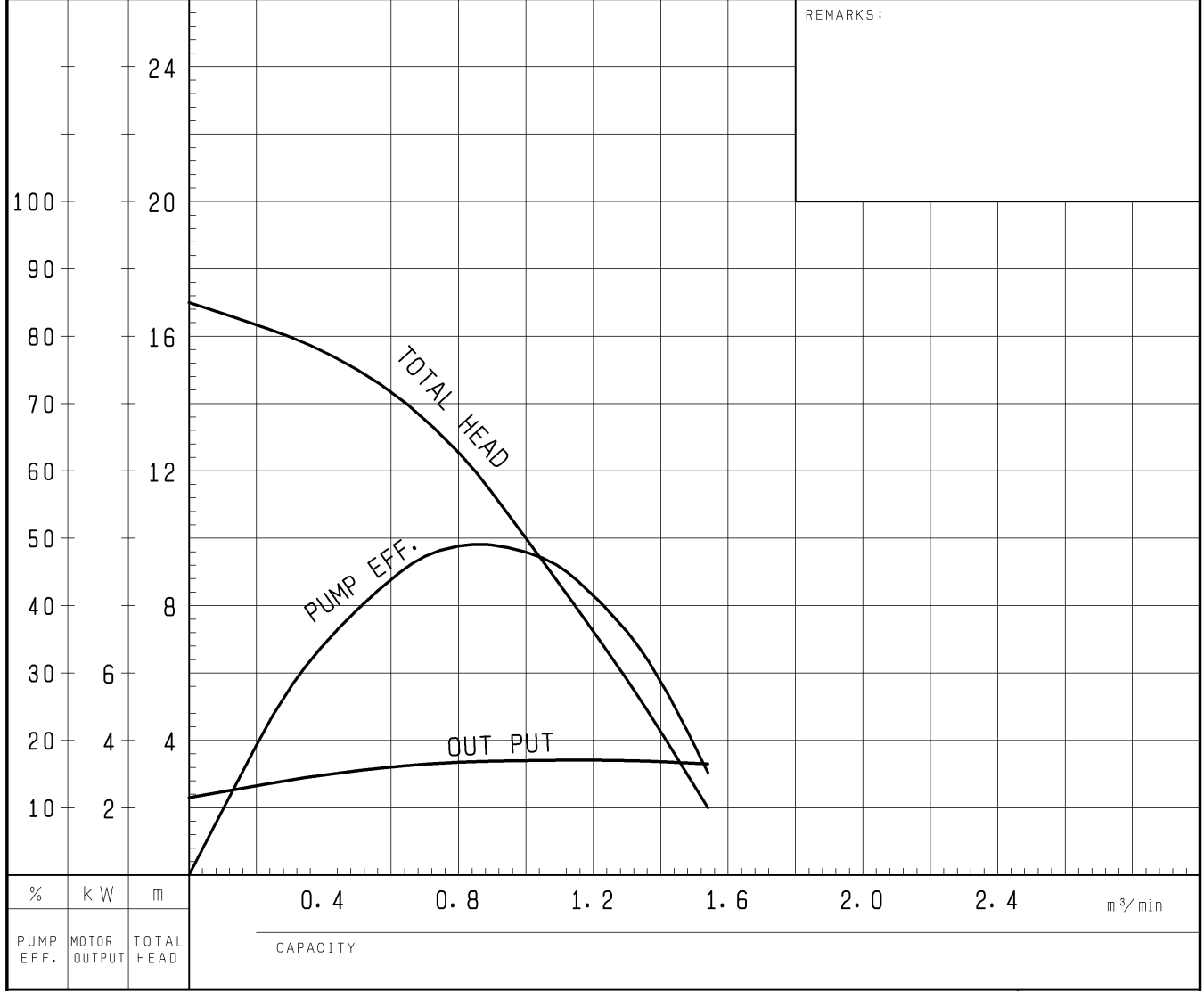
# PUMP PERFORMANCE CURVES

TYPE Submersible Slurry Pump	MODEL NKZ3-C4	FREQUENCY 50 Hz
---------------------------------	------------------	--------------------

CUSTOMER'S NAME \_\_\_\_\_

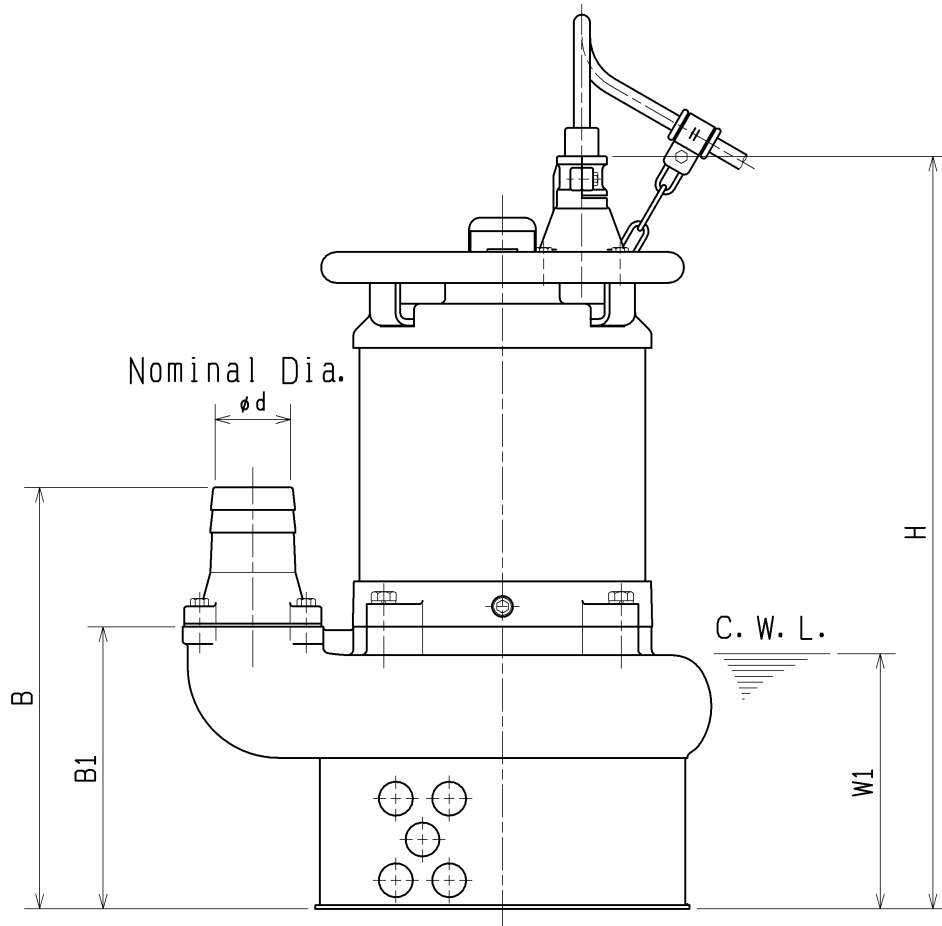
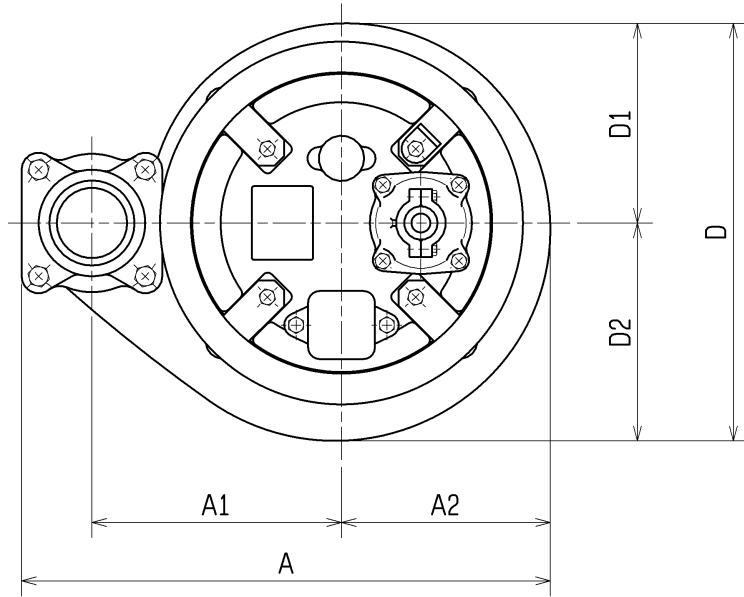
EQUIPMENT TITLE \_\_\_\_\_ NO. \_\_\_\_\_

	STANDARD SPECIFICATIONS	REQUIRED SPECIFICATIONS
DISCHARGE BORE	100 mm	mm
TOTAL HEAD	10 m	m
CAPACITY	1.0 m <sup>3</sup> /min	m <sup>3</sup> /min
MOTOR OUTPUT	3.7 kW	kW
PHASE x VOLTAGE	3 $\phi$ x V	$\phi$ x V
CURRENT	A	A
POLES / REVOLUTION	4 P / S. S. 1500 min <sup>-1</sup>	P / min <sup>-1</sup>
STARTING METHOD	DIRECT ON LINE	
INSULATION CLASS	E	



TSURUMI MFG. CO., LTD.

<b>DIMENSION DRAWING</b>		No.	No. A-22049-1
TYPE	Submersible Slurry Pump	MODEL	NKZ3-C3/A3, NKZ3-D3/B3 NKZ3-C4/A4, NKZ3-D4/B4

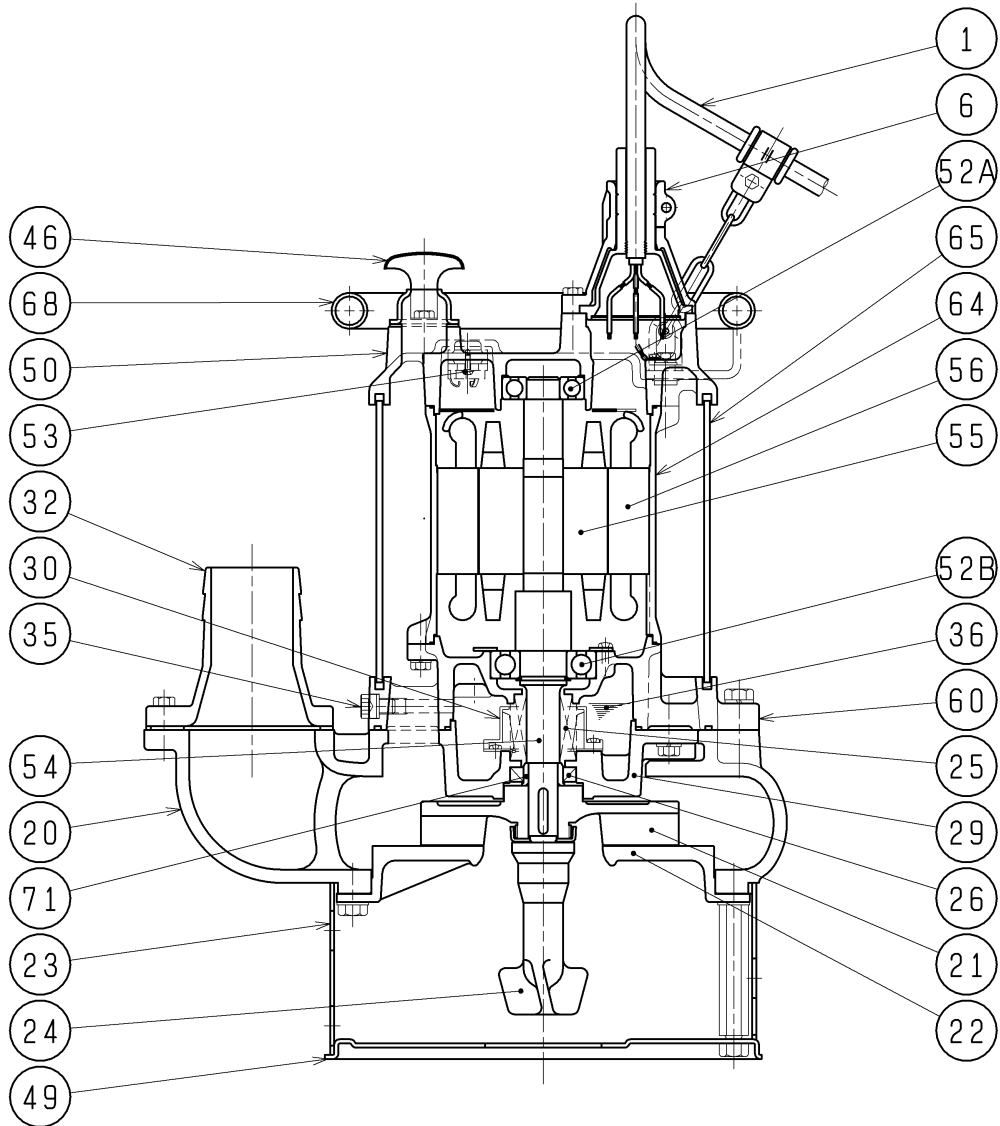


C. W. L. :Continuous running Water Level

MODEL	$\phi d$	A	A1	A2	B	B1	D	D1	D2	W1	H	Approximate Weight (※)
NKZ3-C3/A3	80	466	220	184	372	249	368	176	192	225	664	91kg
NKZ3-D3/B3	80	466	220	184	372	249	368	176	192	225	709	100kg
NKZ3-C4/A4	100	466	220	184	387	249	368	176	192	225	709	97kg
NKZ3-D4/B4	100	482	230	190	382	244	382	182	200	220	714	115kg

※excluding cable

<b>SECTIONAL DRAWING</b>		No.	No. A-22052-1
TYPE	Submersible Slurry Pump	MODEL	NKZ3-C3/A3, NKZ3-D3/B3 NKZ3-C4/A4, NKZ3-D4/B4



			*1	*2	*3	REQ. SPECIFICATION			
2. 2kW (C3/A3)			H-25	TC305011	6307ZZC3				
3. 7kW (D3/B3, C4/A4)			H-25	TC305011	6307ZZC3				
5. 5kW (D4/B4)			H-30	TC355511	6308ZZC3				
No.	DESCRIPTION	QTY	MATERIAL / NOTE			No.	DESCRIPTION	QTY	MATERIAL / NOTE
1	Cable	1	Chloroprene Sheath			49	Bottom Plate	1	Steel Sheet
6	Stuffing Box	1	Gray Iron Casting			50	Motor Bracket	1	Gray Iron Casting
20	Pump Casing	1	Gray Iron Casting			52A	Upper Bearing	1	6305ZZC3
21	Impeller	1	Ductile Iron Casting			52B	Lower Bearing	1	*3
22	Suction Cover	1	Gray Iron Casting			53	Motor Protector	1	
23	Strainer	1	Steel Sheet			54	Shaft	1	Stainless Steel 420J2
24	Agitator	1	Ductile Iron Casting			55	Rotor	1	
25	Mechanical Seal	1	*1			56	Stator	1	
26	Oil Seal	1	*2			60	Bearing Housing	1	Gray Iron Casting
29	Oil Casing	1	Gray Iron Casting			64	Motor Frame	1	Gray Iron Casting
30	Oil Lifter	1	Plastic			65	Outer Cover	1	Structure Sheet
32	Hose Coupling	1	Gray Iron Casting			68	Handle	1	Steel Sheet & Carbon Steel Pipe
35	Oil Plug	1	Stainless Steel 304			71	Shaft Sleeve	1	Stainless Steel 403
36	Lubricant		Turbine Oil (ISO VG32)						
46	Air Release Valve	1	Steel Sheet						