

SPECIFICATIONS	Model <b>40PU2.15S</b>	PU-series							
		0.15kW, 1-phase							
<p><b>Type of Pump</b> Submersible vortex pump made of 304 stainless steel and resin suitable for pumping sewage, wastewater, storm water, etc.</p> <p><b>Type of Fluid</b> Sewage, wastewater, and water carrying solid matters</p> <p>Temperature: 0 to 40°C</p> <p><b>Discharge Bore</b> 40mm</p> <p><b>Motor Output</b> 0.15kW</p> <p><b>Power Supply</b> Single-phase</p> <p><b>Starting Method</b> Capacitor Run</p> <p><b>Motor</b> Continuous-duty rated, dry-type induction motor</p> <p>Insulation Class: E Degree of Protection: IP68</p> <p>No. of Poles &amp; Speed (Synchronous Speed) 2-pole, 3000/3600min<sup>-1</sup> (50/60Hz)</p> <p>Power Supply Voltages &amp; Rated Currents</p> <table border="0"> <tr> <td>50Hz</td> <td>60Hz</td> </tr> <tr> <td>220V – 1.6A</td> <td>110V – 3.2A</td> </tr> <tr> <td>230V – 1.6A</td> <td>220V – 1.6A</td> </tr> <tr> <td>240V – 1.7A</td> <td></td> </tr> </table> <p><b>Power Cable</b> Sheath: PVC Standard Length: 5m 100 to 240V supply: 1 × 3 × 1.25mm<sup>2</sup>, O.D. 10.1mm</p> <p><b>Dry Weight</b> (excluding cable) Standard Model: 6.1kg Auto &amp; Auto-Alternation Model: 6.7kg</p>	50Hz	60Hz	220V – 1.6A	110V – 3.2A	230V – 1.6A	220V – 1.6A	240V – 1.7A		<p><b>Impeller</b> Vortex impeller made of glass-fiber reinforced PPO</p> <p>Solids Passage 50Hz – ϕ35mm 60Hz – ϕ35mm</p> <p><b>Cable Entry with Anti-Wicking Block</b> Watertight cable entry with strain-relief device. The anti-wicking block prevents water incursion due to capillary action should the power cable be damaged or the end submerged.</p> <p><b>Bearings</b> Permanently lubricated, deep-groove, double-shielded C3 ball bearings</p> <p><b>Shaft</b> 420 stainless steel</p> <p><b>Shaft Seal (Mechanical Seal)</b> Furnished with a double-face mechanical seal located in oil chamber. Both upper and lower seal faces always run in a clean environment.</p> <p>Upper Seal Faces: Ceramic + Carbon Lower Seal Faces: SiC + Ceramic</p> <p><b>OIL LIFTER (Patented)</b> Equipped in oil chamber. It forcibly supplies lubricating oil to the mechanical seal and continues to supply the oil to the upper seal faces even if lubricant falls below the rated volume.</p> <p>Type of Lubricating Oil &amp; Volume Liquid Paraffin (ISO VG32), 150ml</p> <p><b>Motor Protection Device</b> A miniature thermal protector is embedded in each winding of the motor. Should excessive heat builds up, the bimetal strip opens to cause the control panel to shut the power supply.</p>
50Hz	60Hz								
220V – 1.6A	110V – 3.2A								
230V – 1.6A	220V – 1.6A								
240V – 1.7A									
<p><b>Optional Accessories</b></p> <p><b>TOK Set</b> (Guide Rail Fitting Type)</p> <ul style="list-style-type: none"> <li>• Duckfoot Bend</li> <li>• Guide Support</li> <li>• Guide Hook</li> <li>• Lifting Chain 4m (with Shackles)</li> </ul>									
TSURUMI MANUFACTURING CO., LTD.									

NO. A-14244-2

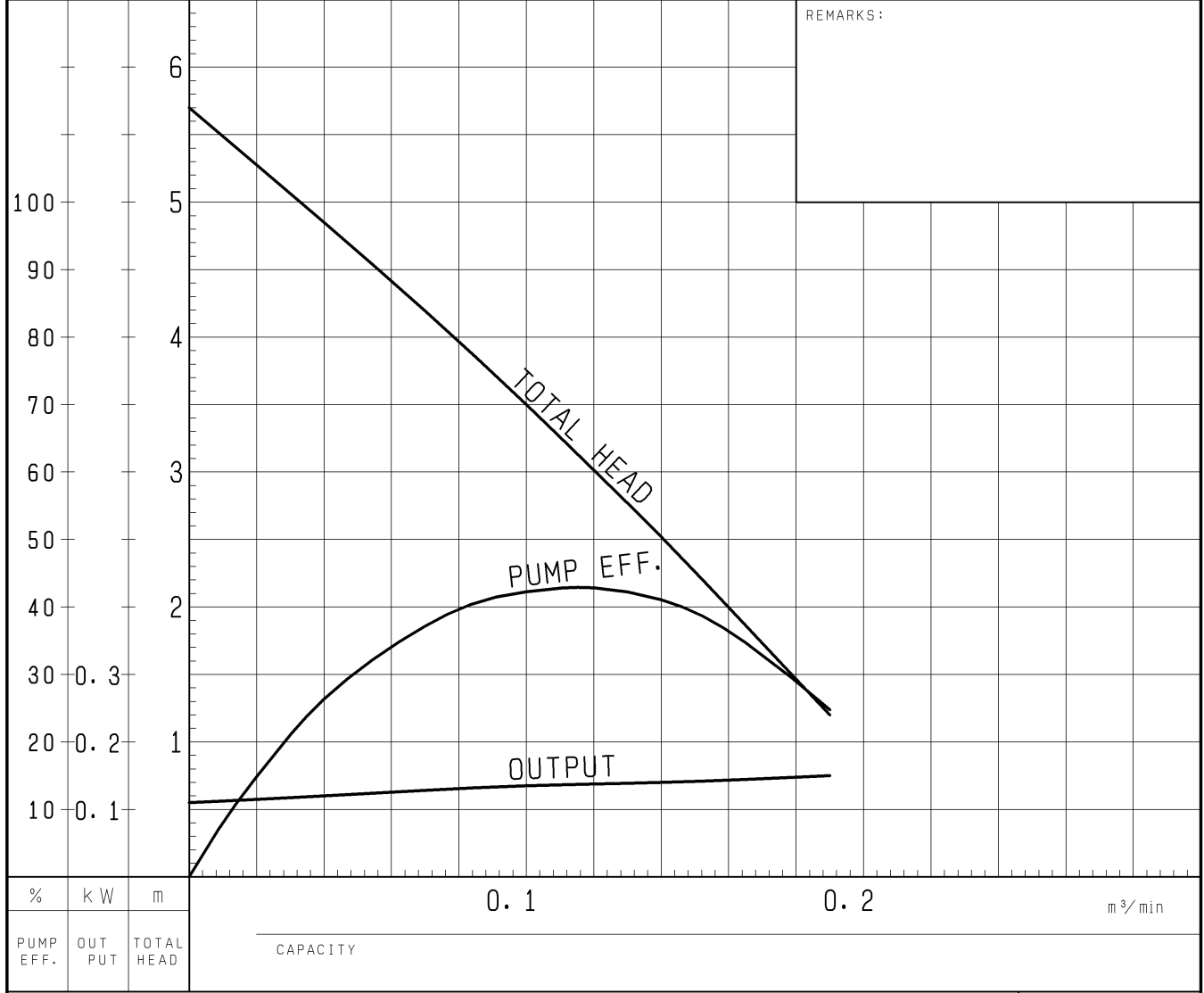
# PUMP PERFORMANCE CURVES

TYPE Submersible Vortex Sewage Pump	MODEL 40PU (A/W) 2.15S -54	FREQUENCY 50 Hz
--	----------------------------	-----------------

CUSTOMER'S NAME \_\_\_\_\_

EQUIPMENT TITLE \_\_\_\_\_ NO. \_\_\_\_\_

	STANDARD SPECIFICATIONS	REQUIRED SPECIFICATIONS
DISCHARGE BORE	40 mm	mm
TOTAL HEAD	MAX. 5.7 m	m
CAPACITY	MAX. 0.19 m <sup>3</sup> /min	m <sup>3</sup> /min
MOTOR OUTPUT	0.15 kW	kW
PHASE x VOLTAGE	1 $\phi$ x V	$\phi$ x V
CURRENT	A	A
POLES / REVOLUTION	2 P / s. s. 3000 min <sup>-1</sup>	P / min <sup>-1</sup>
STARTING METHOD	CAPACITOR MOTOR	
INSULATION CLASS	E	

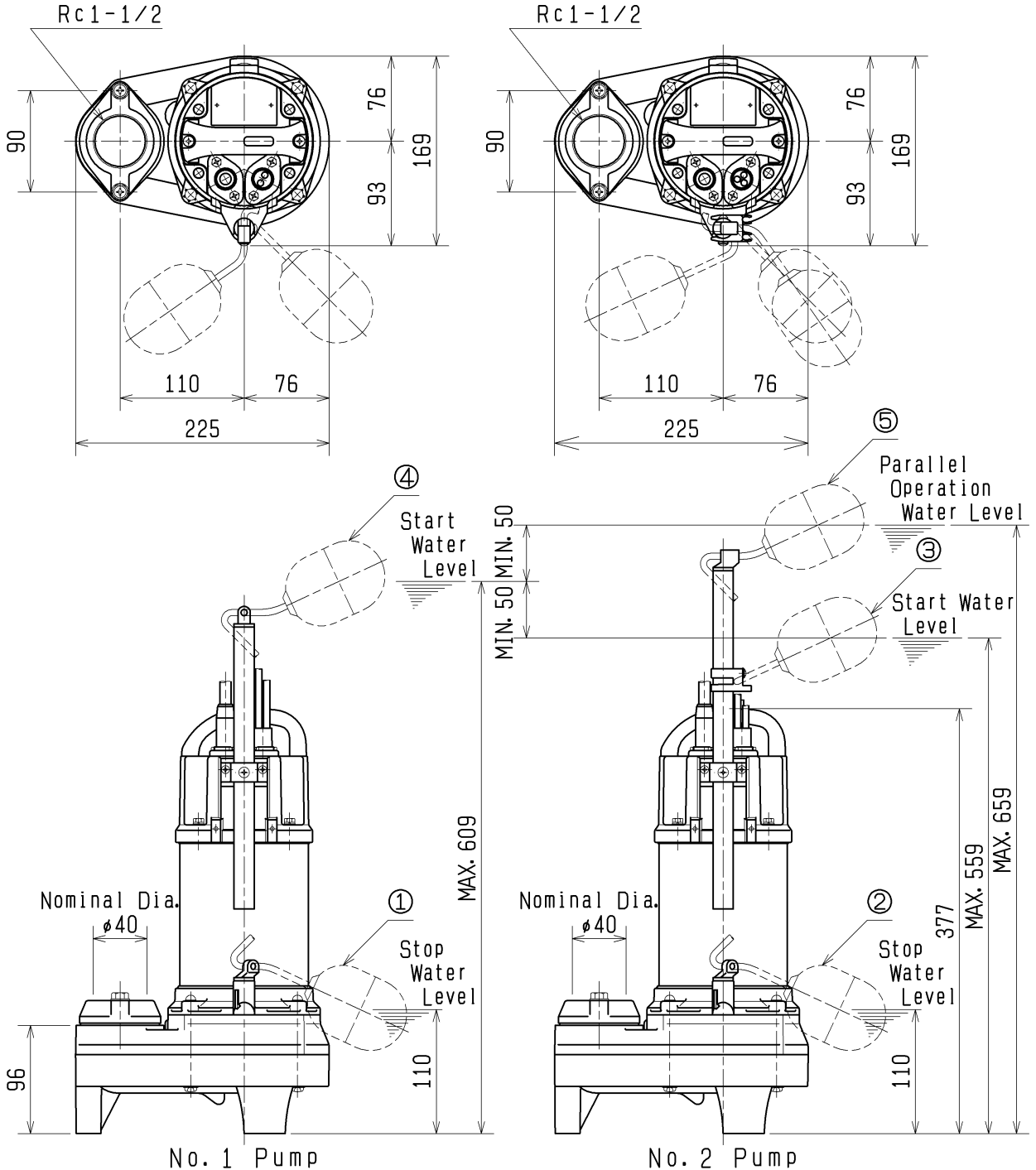


TSURUMI MFG. CO., LTD.

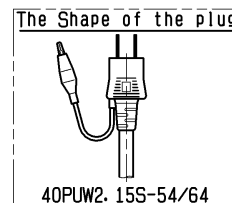
<b>DIMENSION DRAWING</b>		No.	No. A-19552-2
TYPE	Submersible Vortex Sewage Pump (Auto-Alternation)	MODEL	40PUW2.15S -54/64 40PUW2.15 -53/63

MODEL	Approximate Weight (※)
40PUW2.15S-54/64	6.7kg
40PUW2.15 -53/63	6.3kg

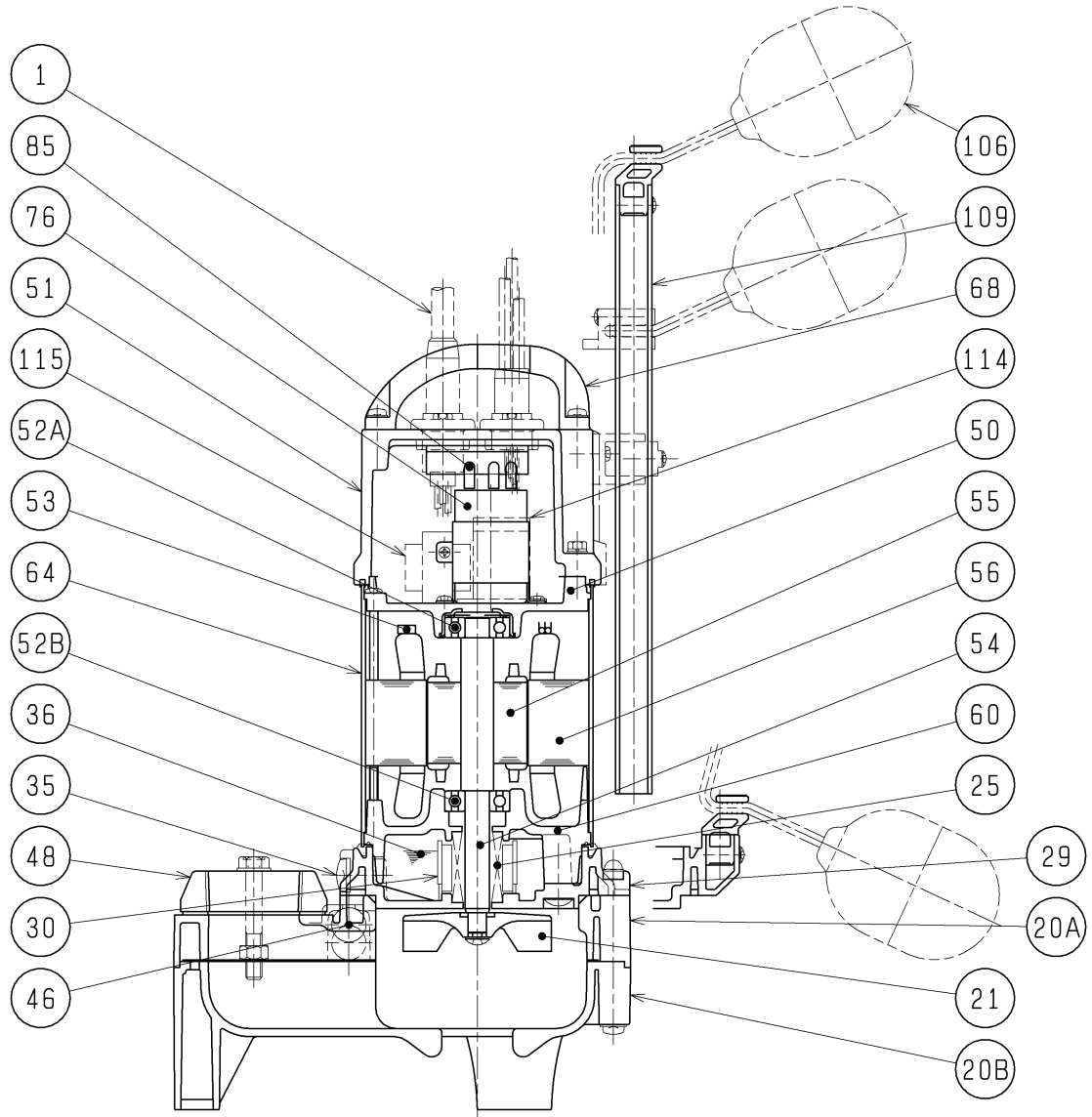
※excluding cable



No.	Item	Color
①	No. 1 Pump Stop Float	Red
②	No. 2 Pump Stop Float	Red
③	No. 2 Pump Alternate Start Float	Yellow
④	No. 1 Pump Start Float	Yellow
⑤	No. 1 Pump No. 2 Pump Parallel Operation Float	Green



<b>SECTIONAL DRAWING</b>		No.	No. A-19563-2
TYPE	Submersible Vortex Sewage Pump (Auto-Alternation)	MODEL	40PUW2.15S -54/64



REQ. SPECIFICATION	

No.	DESCRIPTION	Q'TY	MATERIAL / NOTE	No.	DESCRIPTION	Q'TY	MATERIAL / NOTE
1	Cable	1	PVC Sheath	53	Motor Protector	1	
20A	Casing-upper Half	1	Plastic W/GF	54	Shaft	1	Stainless Steel 420J2
20B	Casing-lower Half	1	Plastic	55	Rotor	1	
21	Impeller	1	Plastic W/GF	56	Stator Complete	1	
25	Mechanical Seal	1	D-12RC	60	Bearing Housing	1	Aluminium Die Casting
29	Oil Casing	1	Plastic W/GF	64	Motor Frame	1	Stainless Steel 304
30	Oil Lifter	1	Plastic	68	Handle	1	Plastic
35	Oil Plug	1	SUS304	76	Capacitor	1	
36	Lubricant		Liquid Paraffin (ISO VG32)	85	Relay Unit	1	
46	Air Release Valve	1	Glass Ball	106	Float	3	Plastic
48	Screwed Flange	1	Plastic	109	Float Support Pipe	1	PVC
50	Motor Bracket	1	Aluminium Die Casting	114	Power Relay	1	
51	Head Cover	1	Plastic W/GF	115	Transformer	1	
52A	Upper Bearing	1	6201ZZC3				
52B	Lower Bearing	1	6201ZZC3				