

SPECIFICATIONS	Model	40PU2.25S	
		PU-series 0.25kW, 1-phase	

Type of Pump

Submersible vortex pump made of 304 stainless steel and resin suitable for pumping sewage, wastewater, storm water, etc.

Type of Fluid

Sewage, wastewater, and water carrying solid matters

Temperature: 0 to 40°C

Discharge Bore

40mm

Motor Output

0.25kW

Power Supply

Single-phase

Starting Method

Capacitor Run

Motor

Continuous-duty rated, dry-type induction motor

Insulation Class: E

Degree of Protection: IP68

No. of Poles & Speed (Synchronous Speed)

2-pole, 3000/3600min⁻¹ (50/60Hz)

Power Supply Voltages & Rated Currents

50Hz	60Hz
220V – 2.5A	110V – 4.4A
230V – 2.5A	220V – 2.4A
240V – 2.5A	

Power Cable

Sheath: PVC

Standard Length: 5m

100 to 240V supply:

1 × 3 × 1.25mm², O.D. 10.1mm

Dry Weight (excluding cable)

Standard Model: 7.1kg

Auto & Auto-Alternation Model: 7.8kg

Impeller

Vortex impeller made of glass-fiber reinforced PPO

Solids Passage

50Hz – ϕ 35mm

60Hz – ϕ 35mm

Cable Entry with Anti-Wicking Block

Watertight cable entry with strain-relief device. The anti-wicking block prevents water incursion due to capillary action should the power cable be damaged or the end submerged.

Bearings

Permanently lubricated, deep-groove, double-shielded C3 ball bearings

Shaft

304 stainless steel

Shaft Seal (Mechanical Seal)

Furnished with a double-face mechanical seal located in oil chamber. Both upper and lower seal faces always run in a clean environment.

Upper Seal Faces: Ceramic + Carbon

Lower Seal Faces: SiC + Ceramic

OIL LIFTER (Patented)

Equipped in oil chamber. It forcibly supplies lubricating oil to the mechanical seal and continues to supply the oil to the upper seal faces even if lubricant falls below the rated volume.

Type of Lubricating Oil & Volume

Liquid Paraffin (ISO VG32), 240ml

Motor Protection Device

A miniature thermal protector is embedded in each winding of the motor. Should excessive heat builds up, the bimetal strip opens to cause the control panel to shut the power supply.

Optional Accessories
TOK Set (Guide Rail Fitting Type)

- Duckfoot Bend
- Guide Support
- Guide Hook
- Lifting Chain 4m (with Shackles)

NO.

A-09943-2

PUMP PERFORMANCE CURVES

TYPE Sewage
Submersible Vortex Pump

MODEL 40PU2.25S -52, 40PUA2.25S -52
40PUW2.25S -52

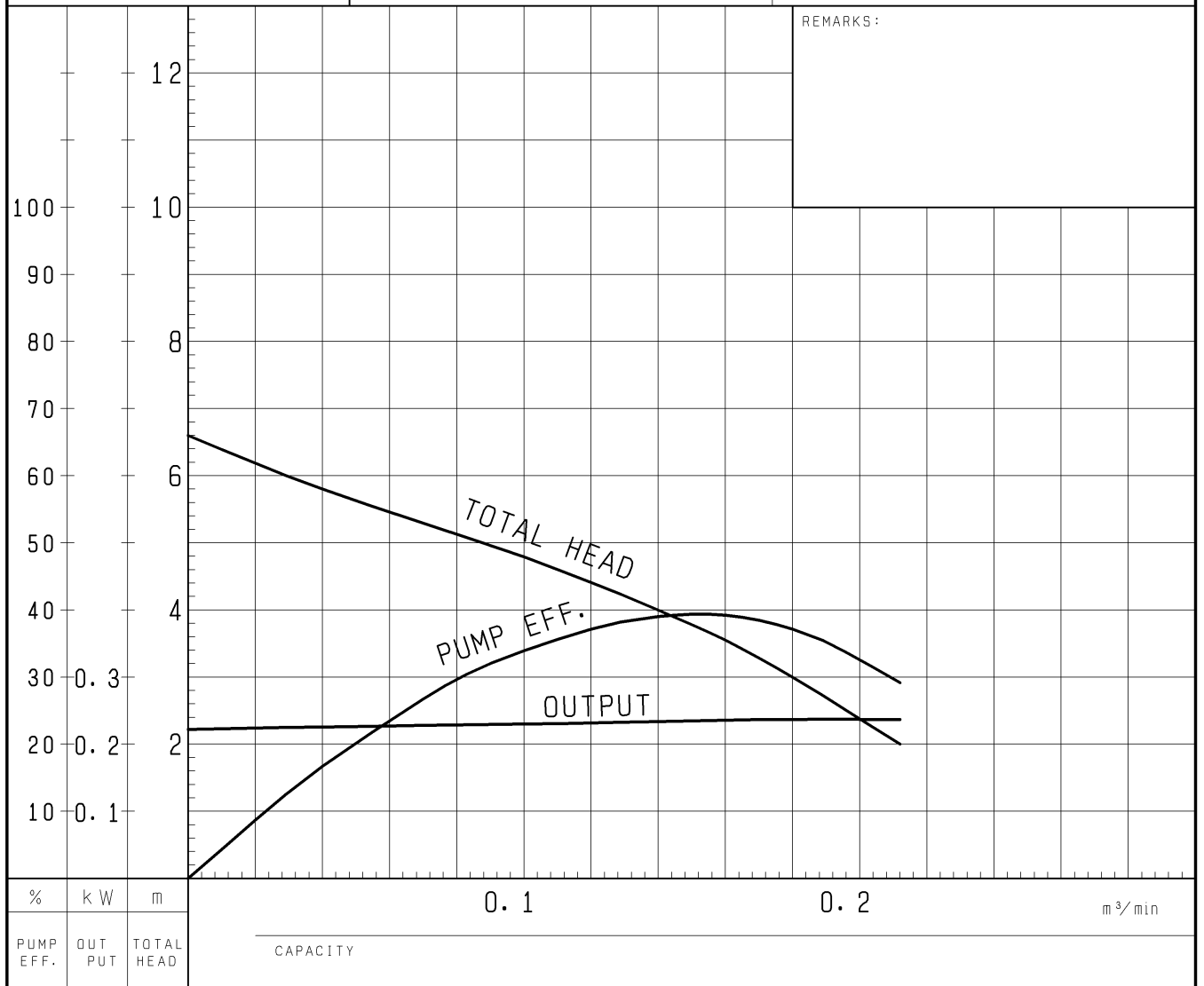
FREQUENCY
50 Hz

CUSTOMER'S NAME

EQUIPMENT TITLE

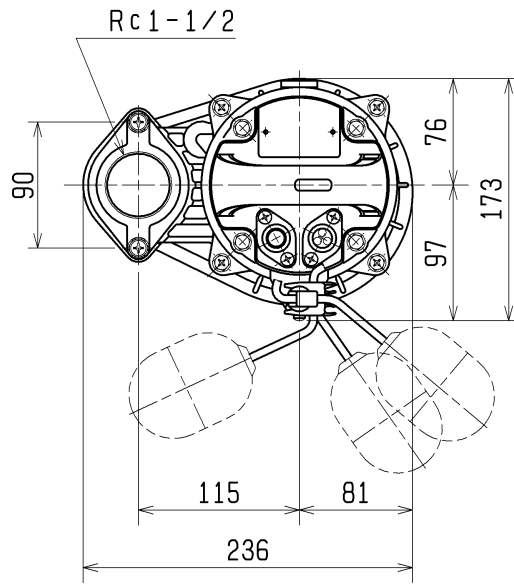
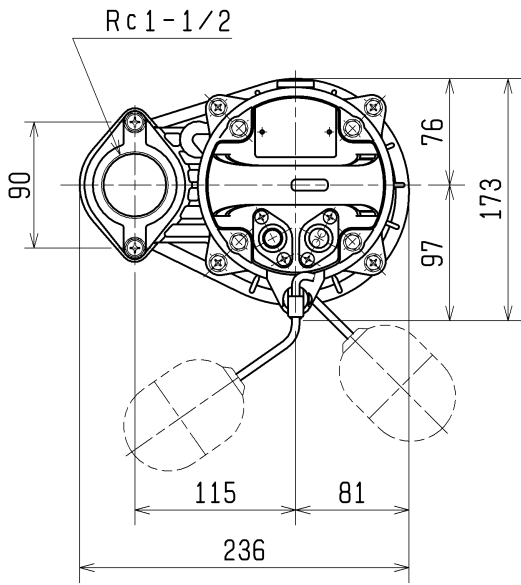
NO.

	STANDARD SPECIFICATIONS	REQUIRED SPECIFICATIONS
DISCHARGE BORE	40 mm	mm
TOTAL HEAD	4.0 m	m
CAPACITY	0.14 m ³ /min	m ³ /min
MOTOR OUTPUT	0.25 kW	kW
PHASE × VOLTAGE	1 ∅ × V	∅ × V
CURRENT	A	A
POLES / REVOLUTION	2 P / S. S. 3000 min ⁻¹	P / min ⁻¹
STARTING METHOD	CAPACITOR MOTOR	
INSULATION CLASS	E	

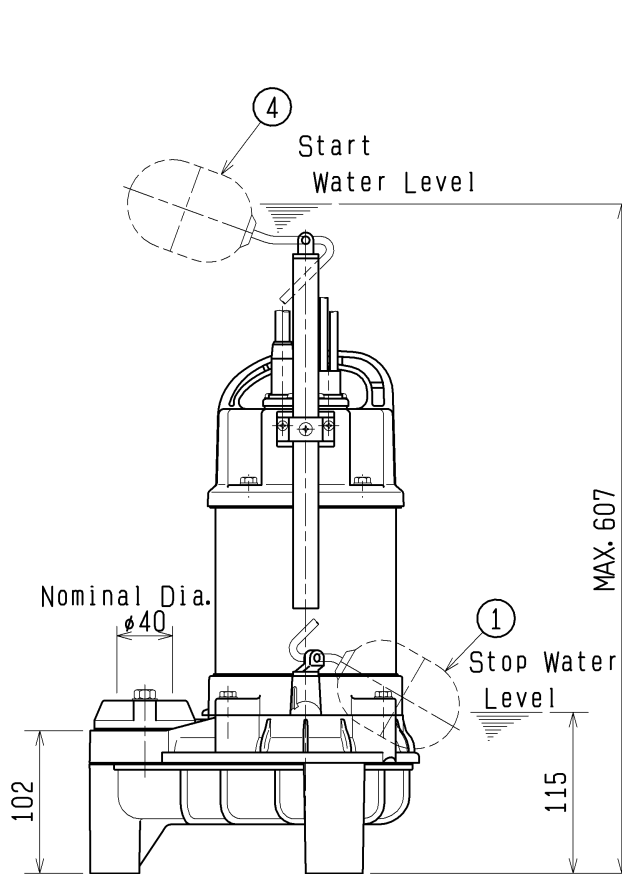


TSURUMI MFG. CO., LTD.

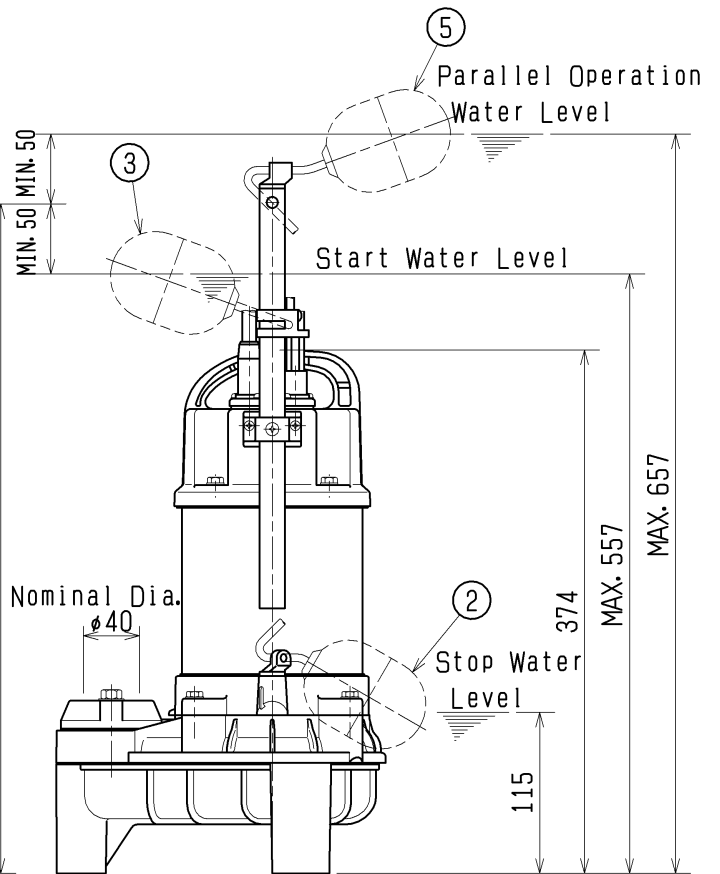
DIMENSION DRAWING		No.	No. A-09975-2
TYPE	Sewage Submersible Vortex Pump (Auto-Alternation)	MODEL	40PUW2.25S -52/62



Approximate Weight (※)
7.8kg
※excluding cable



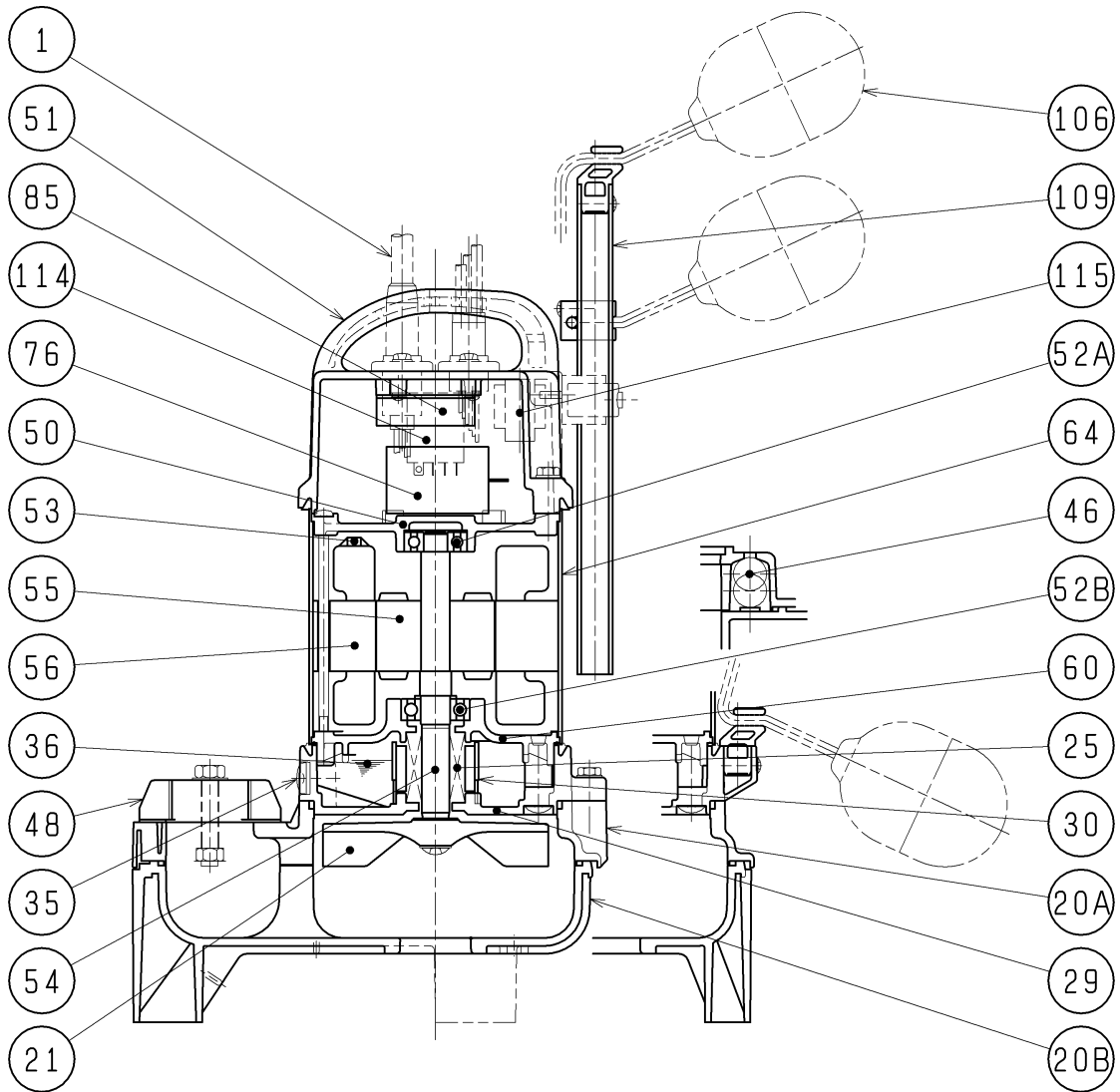
No. 1 PUMP



No. 2 PUMP

No.	Item	Color	No.	Item	Color
①	No. 1 Pump Stop Float	Red	④	No. 1 Pump Start Float	Yellow
②	No. 2 Pump Stop Float	Red	⑤	No. 1 Pump No. 2 Pump Parallel Operation Float	Green
③	No. 2 Pump Alternate Start Float	Yellow			

SECTIONAL DRAWING		No.	No. A-10021-3
TYPE Sewage Submersible Vortex Pump (Auto-Alternation)	MODEL	40PUW2.25S -52/62	50PUW2.4S -52/62



REQ. SPECIFICATION

※ Upper and lower blocks form a one-piece casing.

No.	DESCRIPTION	QTY	MATERIAL / NOTE	No.	DESCRIPTION	QTY	MATERIAL / NOTE
1	Cable	1	PVC Sheath	53	Motor Protector	1	
20A	Upper Pump Casing	※ 1	Plastic W/GF	54	Shaft	1	Stainless Steel 304
20B	Lower Pump Casing		Plastic	55	Rotor	1	
21	Impeller	1	Plastic W/GF	56	Stator	1	
25	Mechanical Seal	1	W-14HC	60	Bearing Housing	1	Aluminium Die Casting
29	Oil Casing	1	Plastic W/GF	64	Motor Frame	1	Stainless Steel 304
30	Oil Lifter	1	Plastic	76	Capacitor	1	
35	Oil Plug	1	Stainless Steel 304	85	Relay Unit	1	
36	Lubricant		Liquid Paraffin (ISO VG32)	106	Float Set	3	Plastic
46	Air Release Valve	1	Glass Ball	109	Float Support Pipe	1	Plastic
48	Screwed Flange	1	Plastic W/GF	114	Power Relay	1	
50	Motor Bracket	1	Aluminium Die Casting	115	Transformer	1	
51	Head Cover	1	Plastic W/GF				
52A	Upper Bearing	1	6201ZZC3				
52B	Lower Bearing	1	6202ZZC3				