

SPECIFICATIONS	Model	PU-series							
	80PU22.2	2.2kW, 3-phase							
<p>Type of Pump Submersible vortex pump made of 304 stainless steel and resin suitable for pumping sewage, wastewater, storm water, etc.</p> <p>Type of Fluid Sewage, wastewater, and water carrying solid matters</p> <p>Temperature: 0 to 40°C</p> <p>Discharge Bore 80mm</p> <p>Motor Output 2.2kW</p> <p>Power Supply Three-phase</p> <p>Starting Method Direct on Line</p> <p>Motor Continuous-duty rated, dry-type induction motor</p> <p>Insulation Class: E Degree of Protection: IP68</p> <p>No. of Poles & Speed (Synchronous Speed) 2-pole, 3000/3600min⁻¹ (50/60Hz)</p> <p>Power Supply Voltages & Rated Currents</p> <table border="0"> <tr> <td>50Hz</td> <td>60Hz</td> </tr> <tr> <td>380V – 5.1A</td> <td>220V – 8.5A</td> </tr> <tr> <td>400V – 5.1A</td> <td>380V – 4.9A</td> </tr> <tr> <td>415V – 5.1A</td> <td>440V – 4.3A</td> </tr> </table> <p>Power Cable Sheath: PVC Standard Length: 6m 380 to 600V supply: 1 × 4 × 1.25mm², O.D. 11.1mm 200 to 240V supply: 1 × 4 × 2.0mm², O.D. 11.8mm</p> <p>Dry Weight (excluding cable) Standard Model: 22kg Auto & Auto-Alternation Model: 23kg</p>	50Hz	60Hz	380V – 5.1A	220V – 8.5A	400V – 5.1A	380V – 4.9A	415V – 5.1A	440V – 4.3A	<p>Impeller Vortex impeller made of glass-fiber reinforced PA+ABS</p> <p>Solids Passage 50Hz – φ46mm 60Hz – φ46mm</p> <p>Cable Entry with Anti-Wicking Block Watertight cable entry with strain-relief device. The anti-wicking block prevents water incursion due to capillary action should the power cable be damaged or the end submerged.</p> <p>Bearings Permanently lubricated, deep-groove, double-shielded C3 ball bearings</p> <p>Shaft 304 stainless steel</p> <p>Shaft Seal (Mechanical Seal) Furnished with a double-face mechanical seal located in oil chamber. Both upper and lower seal faces always run in a clean environment.</p> <p>Upper Seal Faces: Ceramic + Carbon Lower Seal Faces: SiC + SiC</p> <p>OIL LIFTER (Patented) Equipped in oil chamber. It forcibly supplies lubricating oil to the mechanical seal and continues to supply the oil to the upper seal faces even if lubricant falls below the rated volume.</p> <p>Type of Lubricating Oil & Volume Liquid Paraffin (ISO VG32), 680ml</p> <p>Motor Protection Device A circle thermal protector built in the motor housing. Directly cuts the motor circuit if excessive heat builds up or an overcurrent condition occurs in the motor.</p>
50Hz	60Hz								
380V – 5.1A	220V – 8.5A								
400V – 5.1A	380V – 4.9A								
415V – 5.1A	440V – 4.3A								
<p>Optional Accessories</p> <p>TOK Set (Guide Rail Fitting Type)</p> <ul style="list-style-type: none"> • Duckfoot Bend • Guide Support • Guide Hook • Lifting Chain 5m (with Shackles) 									
TSURUMI MANUFACTURING CO., LTD.									

NO.

A-20157-1

PUMP PERFORMANCE CURVES

TYPE Sewage
Submersible Vortex Pump

MODEL 80PU (A/W) 22.2 -51

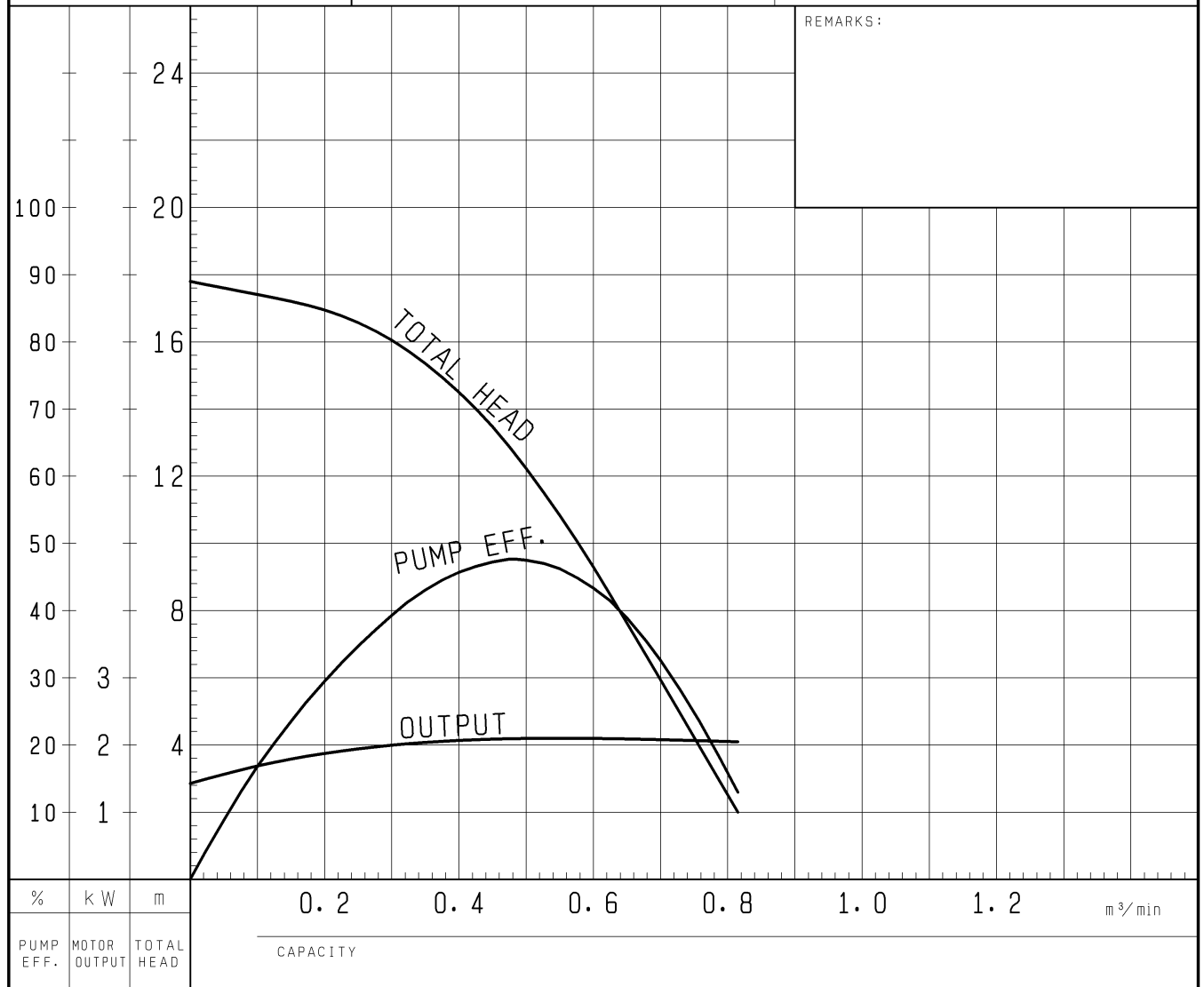
FREQUENCY
50 Hz

CUSTOMER'S NAME

EQUIPMENT TITLE

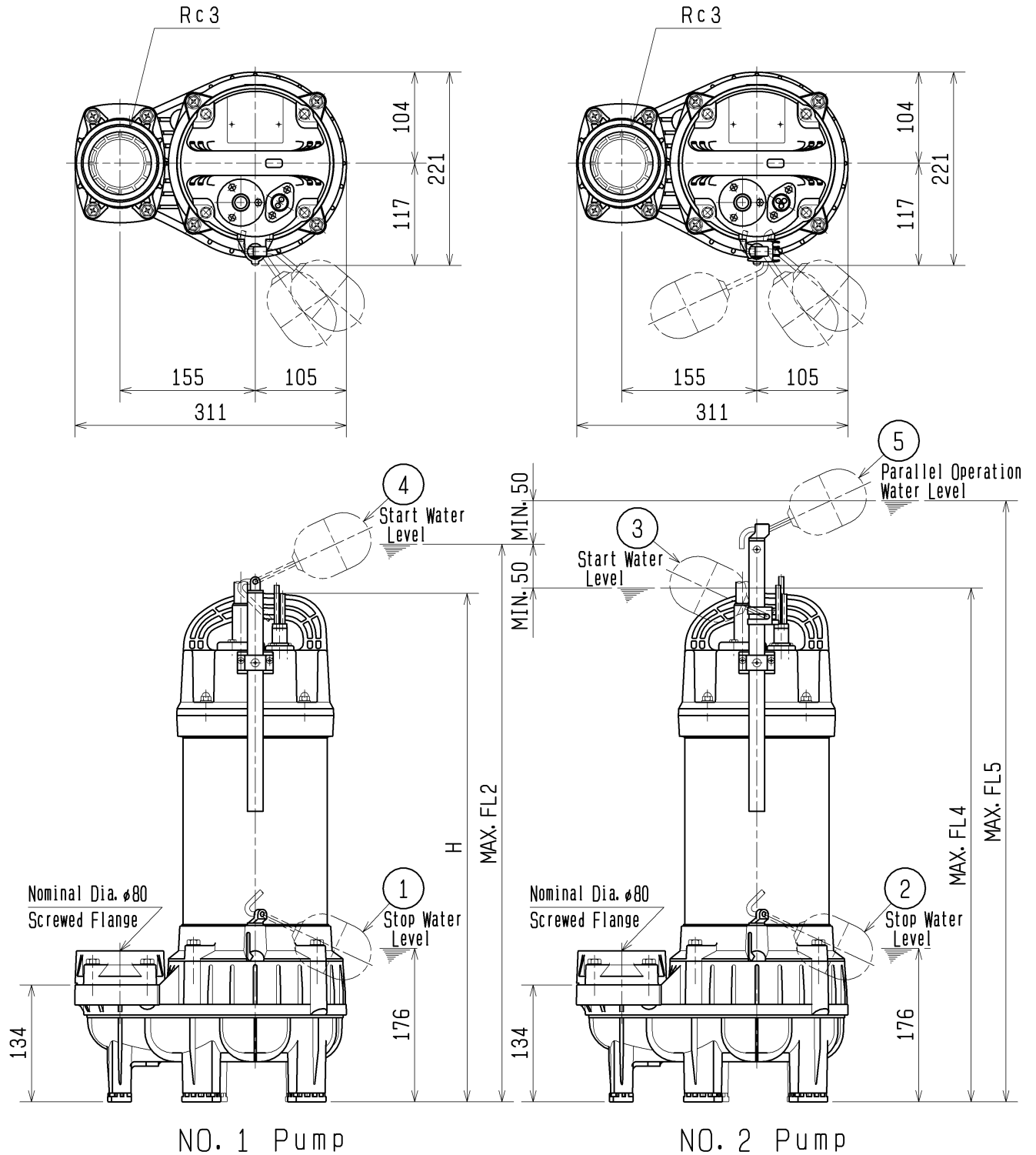
NO.

	STANDARD SPECIFICATIONS	REQUIRED SPECIFICATIONS
DISCHARGE BORE	80 mm	mm
TOTAL HEAD	Max. 17.8 m	m
CAPACITY	Max. 0.81 m ³ /min	m ³ /min
MOTOR OUTPUT	2.2 kW	kW
PHASE × VOLTAGE	3 φ × V	φ × V
CURRENT	A	A
POLES / REVOLUTION	2 P / s. s. 3000 min ⁻¹	P / min ⁻¹
STARTING METHOD	DIRECT ON LINE	
INSULATION CLASS	E	



TSURUMI MFG. CO., LTD.

DIMENSION DRAWING		No.	No.
TYPE	Sewage Submersible Vortex Pump (Auto-Alternation)	MODEL	80PUW22.2 -51/61 80PUW23.7 -51/61

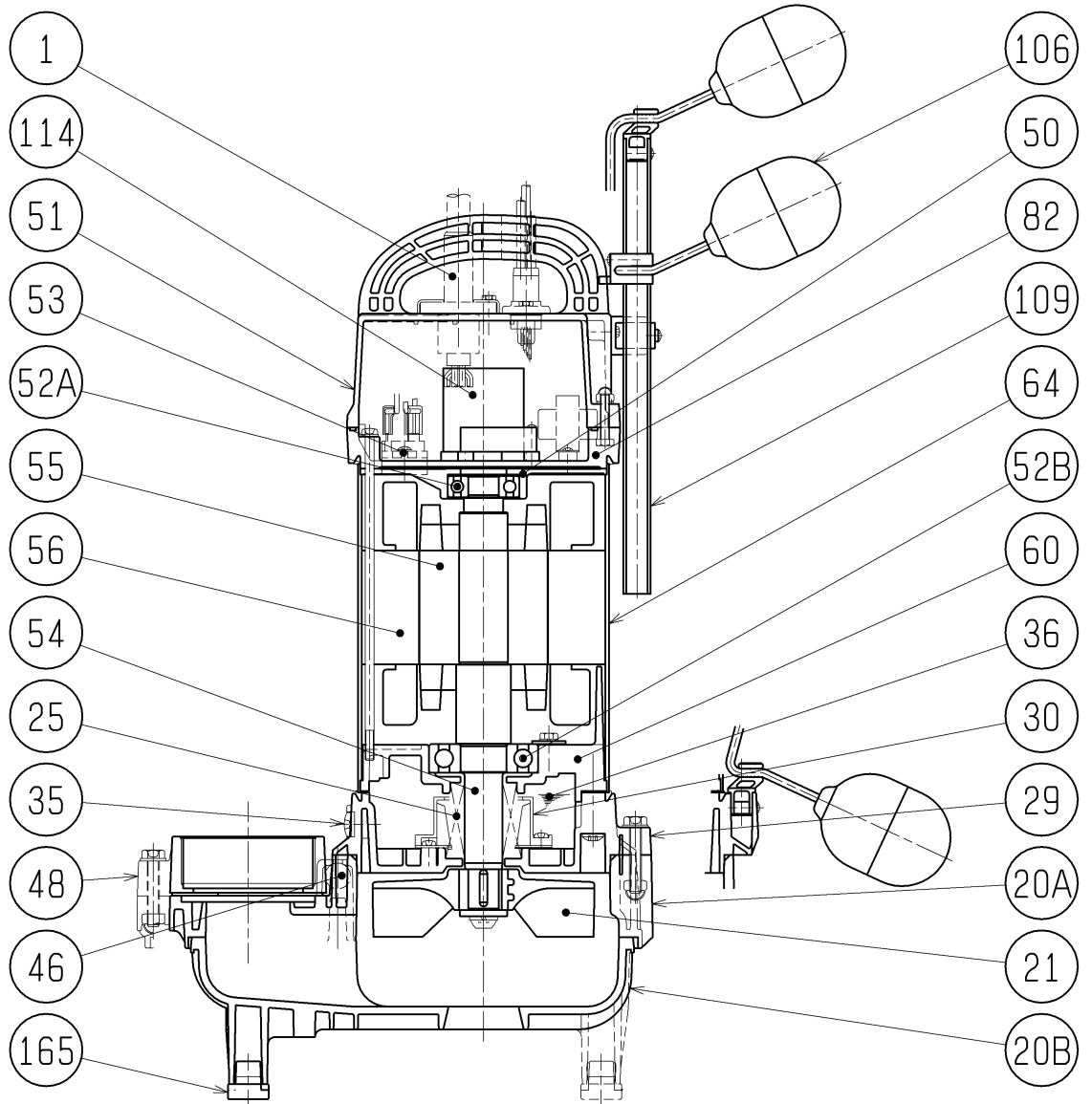


※excluding cable

MODEL	FL2	FL4	FL5	H	Approximate Weight (※)
80PUW22.2-51/61	791	741	841	583	23kg
80PUW23.7-51/61	826	776	876	618	28kg

No.	Item	Color
①	No. 1 Pump Stop Float	Red
②	No. 2 Pump Stop Float	Red
③	No. 2 Pump Alternate Start Float	Yellow
④	No. 1 Pump Start Float	Yellow
⑤	No. 1 Pump No. 2 Pump Parallel Operation Float	Green

SECTIONAL DRAWING		No.	No.	A-20166-1
TYPE	Sewage Submersible Vortex Pump (Auto-Alternation)	MODEL	80PUW22.2 -51/61 80PUW23.7 -51/61	



REQ. SPECIFICATION

※1 Upper and lower blocks form a one-piece casing.

※2 the wetted part

No.	DESCRIPTION	Q'TY	MATERIAL / NOTE	No.	DESCRIPTION	Q'TY	MATERIAL / NOTE
1	Cable	1	PVC Sheath	52B	Lower Bearing	1	6306ZC3
20A	Upper Pump Casing	※1	Plastic W/GF	53	Motor Protector	1	
20B	Lower Pump Casing	1	Plastic W/GF	54	Shaft	1	Stainless Steel 304(※2)
21	Impeller	1	Plastic W/GF	55	Rotor	1	
25	Mechanical Seal	1	H-25AT	56	Stator	1	
29	Oil Casing	1	Plastic W/GF	60	Bearing Housing	1	Aluminium Alloy Casting
30	Oil Lifter	1	Plastic	64	Motor Frame	1	Stainless Steel 304
35	Oil Plug	1	Stainless Steel 304	82	Head Cover Spacer	1	Plastic W/GF
36	Lubricant		Liquid Paraffin (ISO VG32)	106	Float Set	3	Plastic
46	Air Release Valve	1	Glass Ball	109	Float Support Pipe	1	PVC
48	Screwed Flange	1	Plastic W/GF	114	Relay Unit	1	
50	Motor Bracket	1	Aluminium Alloy Casting	165	Rubber Foot	5	Nitrile Butadien Rubber
51	Head Cover	1	Plastic W/GF				
52A	Upper Bearing	1	6204ZC3				