

SPECIFICATIONS	Model	50SQ2.4							
		SQ-series 0.4kW, 3-phase							
<p>Type of Pump Submersible light-weight pump made of cast and fabricated 304 stainless steel suitable for wastewater or clean water</p> <p>Type of Fluid Wastewater and water with slightly corrosive nature</p> <p>Temperature: 0 to 40°C (High temperature model available on special request)</p> <p>Discharge Bore 50mm</p> <p>Motor Output 0.4kW</p> <p>Power Supply Three-phase</p> <p>Starting Method Direct on Line</p> <p>Motor Continuous-duty rated, dry-type induction motor</p> <p>Insulation Class: E (available in F on special request) Degree of Protection: IP68</p> <p>No. of Poles & Speed (Synchronous Speed) 2-pole, 3000/3600min⁻¹ (50/60Hz)</p> <p>Power Supply Voltages & Rated Currents</p> <table border="0"> <tr> <td>50Hz</td> <td>60Hz</td> </tr> <tr> <td>380V – 1.2A</td> <td>220V – 2.0A</td> </tr> <tr> <td>400V – 1.1A</td> <td>380V – 1.2A</td> </tr> <tr> <td>415V – 1.1A</td> <td>440V – 1.0A</td> </tr> </table> <p>Power Cable Sheath: PVC Standard Length: 6m 200 to 600V supply: 1 × 4 × 1.25mm², O.D. 11.1mm</p> <p>Dry Weight (excluding cable) 12kg</p>	50Hz	60Hz	380V – 1.2A	220V – 2.0A	400V – 1.1A	380V – 1.2A	415V – 1.1A	440V – 1.0A	<p>Impeller Vortex impeller designed for “high-gap structure”, made of cast 304 stainless steel, dynamically balanced</p> <p>Solids Passage 50Hz – ϕ6mm 60Hz – ϕ6mm</p> <p>Cable Entry with Anti-Wicking Block Watertight cable entry with strain-relief device. The anti-wicking block prevents water incursion due to capillary action should the power cable be damaged or the end submerged.</p> <p>Bearings Permanently lubricated, deep-groove, double-shielded C3 ball bearings</p> <p>Shaft 304 stainless steel</p> <p>Shaft Seal (Mechanical Seal) Furnished with a double-face mechanical seal located in oil chamber. Both upper and lower seal faces always run in a clean environment.</p> <p>Upper Seal Faces: Ceramic + Carbon Lower Seal Faces: SiC + Ceramic</p> <p>OIL LIFTER (Patented) Equipped in oil chamber. It forcibly supplies lubricating oil to the mechanical seal and continues to supply the oil to the upper seal faces even if lubricant falls below the rated volume.</p> <p>Type of Lubricating Oil & Volume Liquid Paraffin (ISO VG32), 230ml</p> <p>Motor Protection Device A circle thermal protector built in the motor housing. Directly cuts the motor circuit if excessive heat builds up or an overcurrent condition occurs in the motor.</p>
50Hz	60Hz								
380V – 1.2A	220V – 2.0A								
400V – 1.1A	380V – 1.2A								
415V – 1.1A	440V – 1.0A								

NO. A-09930-1

PUMP PERFORMANCE CURVES

TYPE Corrosion Resistant Submersible Stainless Steel Vortex Pump MODEL 50SQ2.4 -52 FREQUENCY 50 Hz

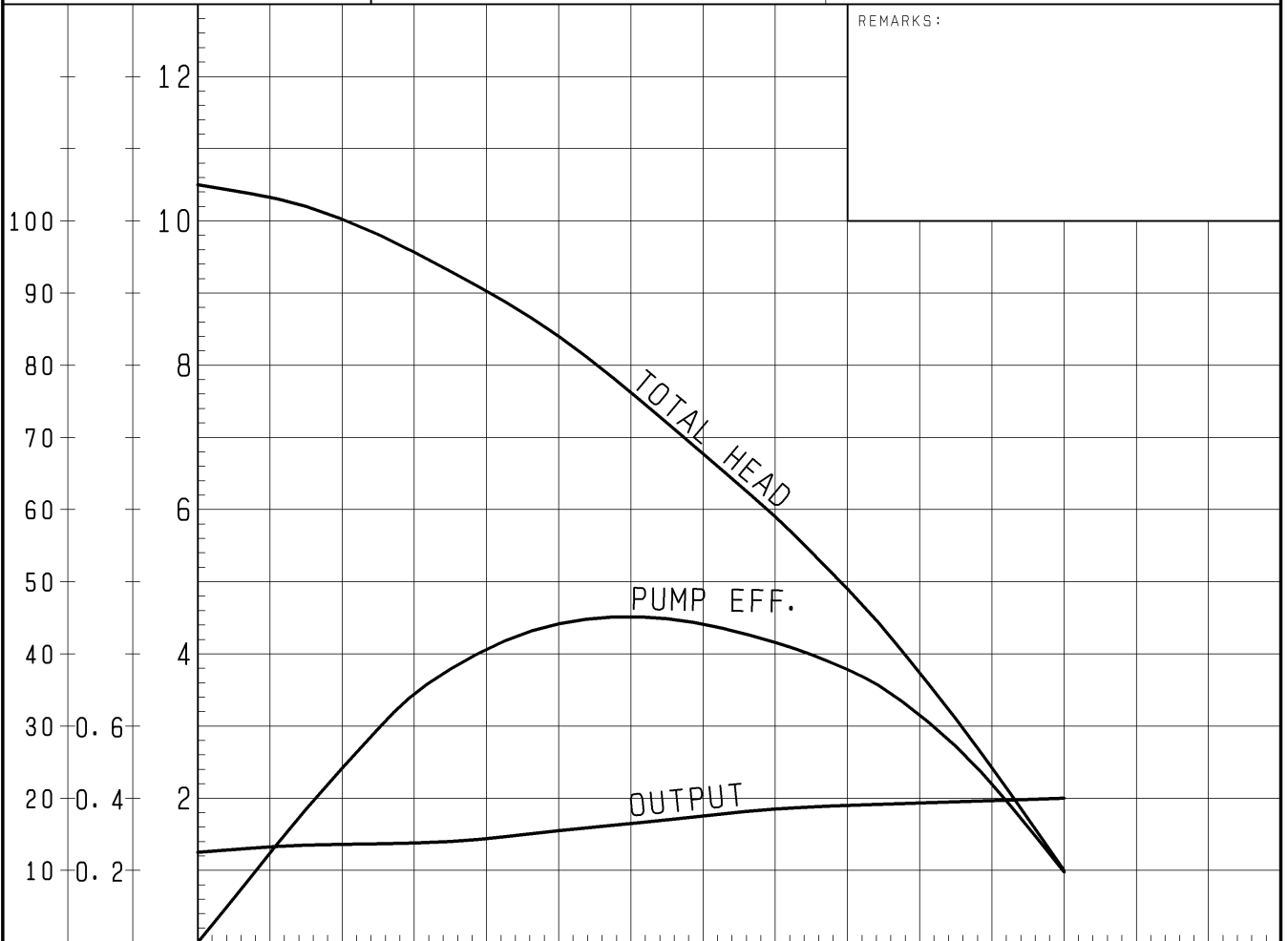
CUSTOMER'S NAME _____

EQUIPMENT TITLE _____

NO. _____

	STANDARD SPECIFICATIONS	REQUIRED SPECIFICATIONS
DISCHARGE BORE	50 mm	mm
TOTAL HEAD	8.0 m	m
CAPACITY	0.11 m ³ /min	m ³ /min
MOTOR OUTPUT	0.4 kW	kW
PHASE x VOLTAGE	3 φ x V	φ x V
CURRENT	A	A
POLES / REVOLUTION	2 P / s. s. 3000 min ⁻¹	P / min ⁻¹
STARTING METHOD	DIRECT ON LINE	
INSULATION CLASS	E	

REMARKS:



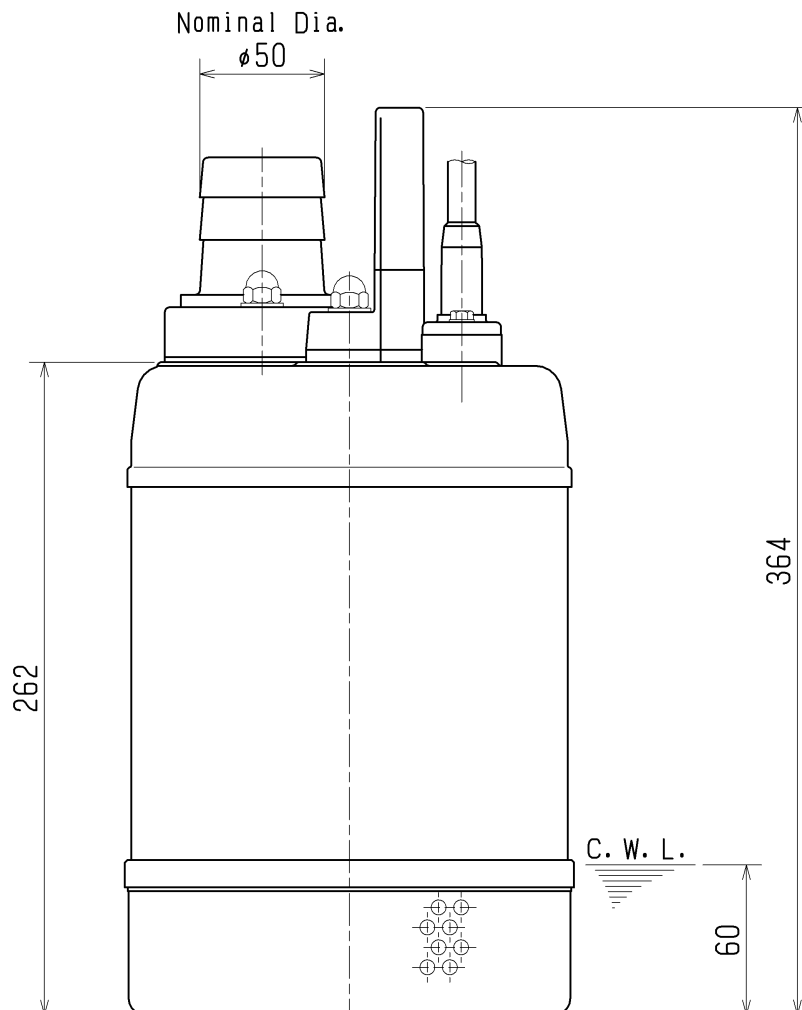
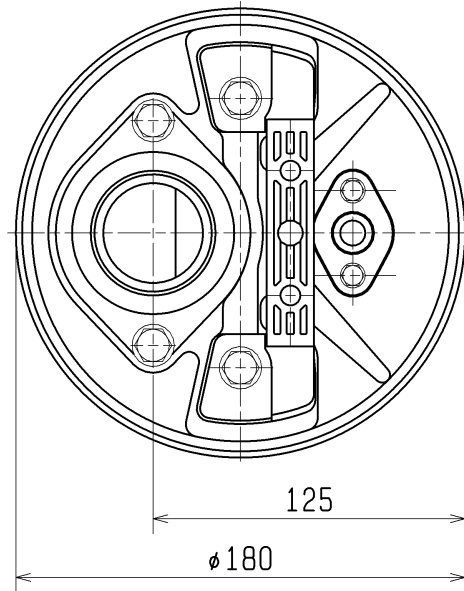
%	kW	m	
PUMP EFF.	OUT PUT	TOTAL HEAD	CAPACITY

TSURUMI MFG. CO., LTD.

DIMENSION DRAWING		No.	No. A-09936-1
TYPE	Corrosion Resistant Submersible Stainless Steel Vortex Pump	MODEL	50SQ2.4S -52/62 50SQ2.4 -52/62

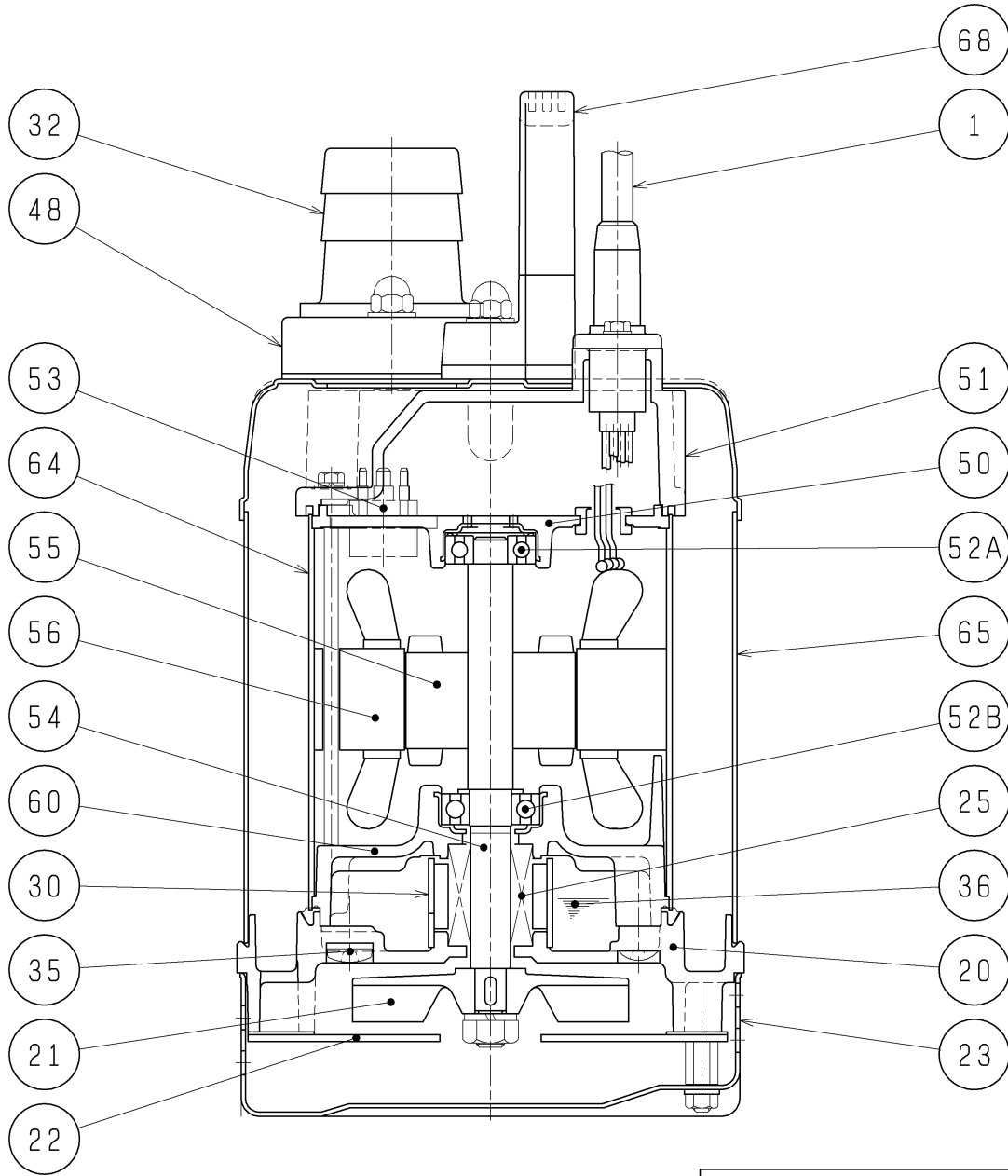
MODEL	Approximate Weight (※)
50SQ2.4S-52/62	12.5kg
50SQ2.4 -52/62	12kg

※excluding cable



C. W. L. : Continuous running Water Level

SECTIONAL DRAWING		No.	No. A-09941-3
TYPE	Corrosion Resistant Submersible Stainless Steel Pump	MODEL	40SQ2.25 -52/62 50SQ2.4 -52/62



REQ. SPECIFICATION

※ the wetted part

No.	DESCRIPTION	Q'TY	MATERIAL / NOTE	No.	DESCRIPTION	Q'TY	MATERIAL / NOTE
1	Cabtyre Cable	1	PVC Sheath	52A	Upper Bearing	1	6201ZZC3
20	Pump Casing	1	Stainless Steel Casting	52B	Lower Bearing	1	6202ZZC3
21	Impeller	1	Stainless Steel Casting	53	Motor Protector	1	
22	Suction Cover	1	Stainless Steel 304	54	Shaft	1	Stainless Steel 304(※)
23	Strainer Stand	1	Stainless Steel 304	55	Rotor	1	
25	Mechanical Seal	1	W-14HC	56	Stator	1	
30	Oil Lifter	1	Plastic	60	Bearing Housing	1	Aluminium Die Casting
32	Hose Coupling	1	Plastic	64	Motor Frame	1	Stainless Steel 304
35	Oil Plug	1	Stainless Steel 304	65	Outer Cover	1	Stainless Steel 304
36	Lubricant		Liquid Paraffin (ISO VG32)	68	Handle	1	Plastic
48	Screwed Flange	1	Plastic W/GF				
50	Motor Bracket	1	Aluminium Die Casting				
51	Head Cover	1	Stainless Steel Casting				